

# Kinetis KL03 32 KB Flash

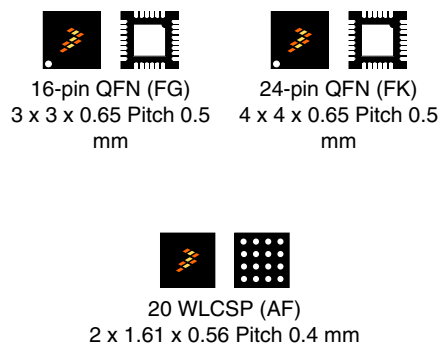
## 48 MHz Cortex-M0+ Based Microcontroller

Supports ultra low power 48 MHz devices with up to 32 KB Flash.

World's smallest MCU based on ARM® technology. Ideal solution for Internet of Things edge nodes design with ultra small form factor and ultra low power consumption. The products offers:

- Tiny footprint packages, including 1.6 x 2.0 mm<sup>2</sup> WLCSP
- Run power consumption as low as 50  $\mu$ A/MHz
- Static power consumption as low as 2.2  $\mu$ A with 7.5  $\mu$ s wakeup time for full retention and lowest static mode down to 77 nA in deep sleep
- Highly integrated peripherals, including new boot ROM and high accurate internal voltage reference, etc

**MKL03ZxxVFG4**  
**MKL03ZxxVFK4**  
**MKL03Z32CAF4R**



### Core

- ARM® Cortex®-M0+ core up to 48 MHz

### Memories

- Up to 32 KB program flash memory
- 2 KB SRAM
- 8 KB ROM with build-in bootloader
- 16 bytes regfile

### System peripherals

- Nine low-power modes to provide power optimization based on application requirements
- COP Software watchdog
- Low-leakage wakeup unit
- SWD debug interface and Micro Trace Buffer
- Bit Manipulation Engine

### Clocks

- 48 MHz high accuracy internal reference clock
- 8/2 MHz low power internal reference clock
- 32 kHz to 40 kHz crystal oscillator
- 1 kHz LPO clock

### Operating Characteristics

- Voltage range: 1.71 to 3.6 V
- Flash write voltage range: 1.71 to 3.6 V

- Temperature range (ambient): -40 to 105°C for QFN packages; -40 to 85°C for WLCSP packages

### Human-machine interface

- General-purpose input/output up to 22

### Communication interfaces

- One 8-bit SPI module
- One LPUART module
- One I2C module supporting up to 1 Mbit/s, with double buffer

### Analog Modules

- 12-bit SAR ADC with internal voltage reference, up to 818 ksps and 7 channels
- High-speed analog comparator containing a 6-bit DAC and programmable reference input
- 1.2 V voltage reference (Vref)

### Timers

- Two 2-channel Timer/PWM modules
- One low-power timer
- Real time clock

### Security and integrity modules

- 80-bit unique identification number per chip

### Ordering Information<sup>1</sup>

Part Number	Memory		Maximum number of I/O's
	Flash (KB)	SRAM (KB)	
MKL03Z8VFG4(R)	8	2	14
MKL03Z16VFG4(R)	16	2	14
MKL03Z32VFG4(R)	32	2	14
MKL03Z32CAF4R	32	2	18
MKL03Z8VFK4(R)	8	2	22
MKL03Z16VFK4(R)	16	2	22
MKL03Z32VFK4(R)	32	2	22

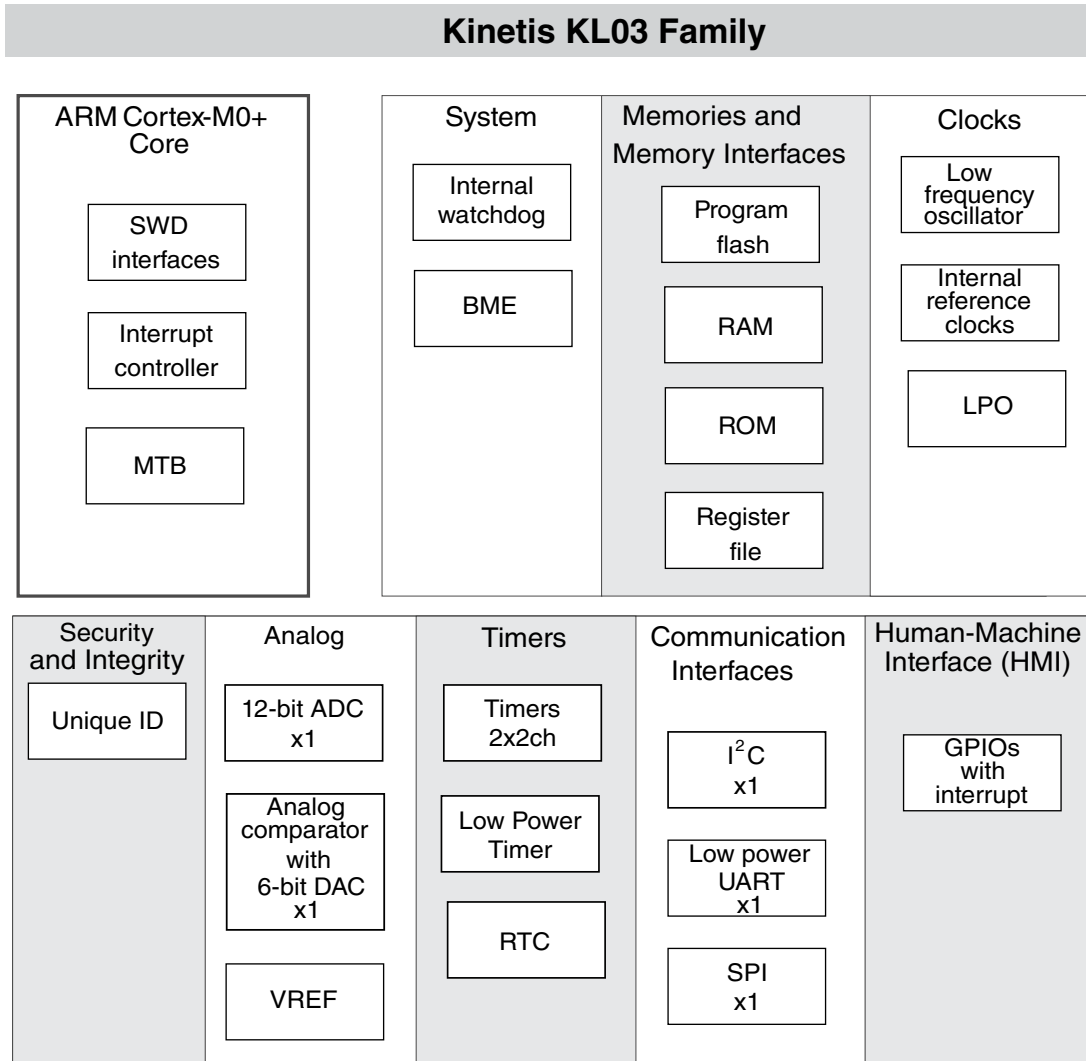
1. To confirm current availability of orderable part numbers, go to <http://www.freescale.com> and perform a part number search.

### Related Resources

Type	Description	Resource
Selector Guide	The Freescale Solution Advisor is a web-based tool that features interactive application wizards and a dynamic product selector.	<a href="#">Solution Advisor</a>
Product Brief	The Product Brief contains concise overview/summary information to enable quick evaluation of a device for design suitability.	KL03PB <sup>1</sup>
Reference Manual	The Reference Manual contains a comprehensive description of the structure and function (operation) of a device.	KL03P24M48SF0RM <sup>1</sup>
Data Sheet	The Data Sheet includes electrical characteristics and signal connections.	KL03P24M48SF0 <sup>1</sup>
Chip Errata	The chip mask set Errata provides additional or corrective information for a particular device mask set.	KL03Z_1N86K <sup>1</sup>
Package drawing	Package dimensions are provided in package drawings.	QFN 16-pin: 98ASA00525D <sup>1</sup> QFN 24-pin: 98ASA00602D <sup>1</sup> WLCSP 20-pin: 98ASA00676D <sup>1</sup>

1. To find the associated resource, go to <http://www.freescale.com> and perform a search using this term.

Figure 1 shows the functional modules in the chip.



**Figure 1. Functional block diagram**

# Table of Contents

1	Ratings.....	5	3.6.1	ADC electrical specifications.....	33
1.1	Thermal handling ratings.....	5	3.6.2	CMP and 6-bit DAC electrical specifications.....	37
1.2	Moisture handling ratings.....	5	3.6.3	Voltage reference electrical specifications.....	39
1.3	ESD handling ratings.....	5	3.7	Timers.....	40
1.4	Voltage and current operating ratings.....	5	3.8	Communication interfaces.....	40
2	General.....	6	3.8.1	SPI switching specifications.....	41
2.1	AC electrical characteristics.....	6	3.8.2	Inter-Integrated Circuit Interface (I2C) timing.....	45
2.2	Nonswitching electrical specifications.....	6	3.8.3	UART.....	46
2.2.1	Voltage and current operating requirements.....	7	4	Dimensions.....	46
2.2.2	LVD and POR operating requirements.....	7	4.1	Obtaining package dimensions.....	46
2.2.3	Voltage and current operating behaviors.....	8	5	Pinout.....	47
2.2.4	Power mode transition operating behaviors.....	9	5.1	KL03 signal multiplexing and pin assignments.....	47
2.2.5	Power consumption operating behaviors.....	10	5.2	KL03 pinouts.....	48
2.2.6	EMC radiated emissions operating behaviors.....	24	6	Ordering parts.....	50
2.2.7	Designing with radiated emissions in mind.....	25	6.1	Determining valid orderable parts.....	50
2.2.8	Capacitance attributes.....	25	7	Part identification.....	50
2.3	Switching specifications.....	25	7.1	Description.....	50
2.3.1	Device clock specifications.....	25	7.2	Format.....	51
2.3.2	General switching specifications.....	26	7.3	Fields.....	51
2.4	Thermal specifications.....	26	7.4	Example.....	51
2.4.1	Thermal operating requirements.....	26	8	Terminology and guidelines.....	52
2.4.2	Thermal attributes.....	26	8.1	Definition: Operating requirement.....	52
3	Peripheral operating requirements and behaviors.....	27	8.2	Definition: Operating behavior.....	52
3.1	Core modules.....	27	8.3	Definition: Attribute.....	53
3.1.1	SWD electricals .....	27	8.4	Definition: Rating.....	53
3.2	System modules.....	29	8.5	Result of exceeding a rating.....	54
3.3	Clock modules.....	29	8.6	Relationship between ratings and operating requirements.....	54
3.3.1	MCG-Lite specifications.....	29	8.7	Guidelines for ratings and operating requirements.....	54
3.3.2	Oscillator electrical specifications.....	30	8.8	Definition: Typical value.....	55
3.4	Memories and memory interfaces.....	31	8.9	Typical value conditions.....	56
3.4.1	Flash electrical specifications.....	31	9	Revision history.....	56
3.5	Security and integrity modules.....	33			
3.6	Analog.....	33			

# 1 Ratings

## 1.1 Thermal handling ratings

Table 1. Thermal handling ratings

Symbol	Description	Min.	Max.	Unit	Notes
T <sub>STG</sub>	Storage temperature	-55	150	°C	1
T <sub>SDR</sub>	Solder temperature, lead-free	—	260	°C	2

1. Determined according to JEDEC Standard JESD22-A103, *High Temperature Storage Life*.
2. Determined according to IPC/JEDEC Standard J-STD-020, *Moisture/Reflow Sensitivity Classification for Nonhermetic Solid State Surface Mount Devices*.

## 1.2 Moisture handling ratings

Table 2. Moisture handling ratings

Symbol	Description	Min.	Max.	Unit	Notes
MSL	Moisture sensitivity level	—	3	—	1

1. Determined according to IPC/JEDEC Standard J-STD-020, *Moisture/Reflow Sensitivity Classification for Nonhermetic Solid State Surface Mount Devices*.

## 1.3 ESD handling ratings

Table 3. ESD handling ratings

Symbol	Description	Min.	Max.	Unit	Notes
V <sub>HBM</sub>	Electrostatic discharge voltage, human body model	-2000	+2000	V	1
V <sub>CDM</sub>	Electrostatic discharge voltage, charged-device model	-500	+500	V	2
I <sub>LAT</sub>	Latch-up current at ambient temperature of 105 °C	-100	+100	mA	3

1. Determined according to JEDEC Standard JESD22-A114, *Electrostatic Discharge (ESD) Sensitivity Testing Human Body Model (HBM)*.
2. Determined according to JEDEC Standard JESD22-C101, *Field-Induced Charged-Device Model Test Method for Electrostatic-Discharge-Withstand Thresholds of Microelectronic Components*.
3. Determined according to JEDEC Standard JESD78, *IC Latch-Up Test*.

## 1.4 Voltage and current operating ratings

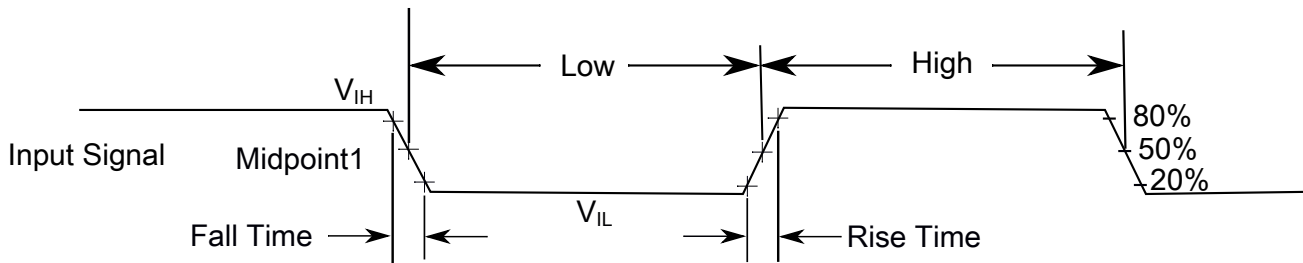
Table 4. Voltage and current operating ratings

Symbol	Description	Min.	Max.	Unit
$V_{DD}$	Digital supply voltage	-0.3	3.8	V
$I_{DD}$	Digital supply current	—	120	mA
$V_{IO}$	IO pin input voltage	-0.3	$V_{DD} + 0.3$	V
$I_D$	Instantaneous maximum current single pin limit (applies to all port pins)	-25	25	mA
$V_{DDA}$	Analog supply voltage	$V_{DD} - 0.3$	$V_{DD} + 0.3$	V

## 2 General

### 2.1 AC electrical characteristics

Unless otherwise specified, propagation delays are measured from the 50% to the 50% point, and rise and fall times are measured at the 20% and 80% points, as shown in the following figure.



The midpoint is  $V_{IL} + (V_{IH} - V_{IL}) / 2$

Figure 2. Input signal measurement reference

All digital I/O switching characteristics, unless otherwise specified, assume the output pins have the following characteristics.

- $C_L=30$  pF loads
- Slew rate disabled
- Normal drive strength

### 2.2 Nonswitching electrical specifications

## 2.2.1 Voltage and current operating requirements

**Table 5. Voltage and current operating requirements**

Symbol	Description	Min.	Max.	Unit	Notes
$V_{DD}$	Supply voltage	1.71	3.6	V	
$V_{DDA}$	Analog supply voltage	1.71	3.6	V	—
$V_{DD} - V_{DDA}$	$V_{DD}$ -to- $V_{DDA}$ differential voltage	-0.1	0.1	V	—
$V_{SS} - V_{SSA}$	$V_{SS}$ -to- $V_{SSA}$ differential voltage	-0.1	0.1	V	—
$V_{IH}$	Input high voltage <ul style="list-style-type: none"> <li>• <math>2.7\text{ V} \leq V_{DD} \leq 3.6\text{ V}</math></li> <li>• <math>1.7\text{ V} \leq V_{DD} \leq 2.7\text{ V}</math></li> </ul>	$0.7 \times V_{DD}$ $0.75 \times V_{DD}$	— —	V V	—
$V_{IL}$	Input low voltage <ul style="list-style-type: none"> <li>• <math>2.7\text{ V} \leq V_{DD} \leq 3.6\text{ V}</math></li> <li>• <math>1.7\text{ V} \leq V_{DD} \leq 2.7\text{ V}</math></li> </ul>	— —	$0.35 \times V_{DD}$ $0.3 \times V_{DD}$	V V	—
$V_{HYS}$	Input hysteresis	$0.06 \times V_{DD}$	—	V	—
$I_{ICIO}$	IO pin negative DC injection current—single pin <ul style="list-style-type: none"> <li>• <math>V_{IN} &lt; V_{SS}-0.3\text{V}</math></li> </ul>	-5	—	mA	1
$I_{ICcont}$	Contiguous pin DC injection current —regional limit, includes sum of negative injection currents of 16 contiguous pins <ul style="list-style-type: none"> <li>• Negative current injection</li> </ul>	-25	—	mA	—
$V_{RAM}$	$V_{DD}$ voltage required to retain RAM	1.2	—	V	—

1. All I/O pins are internally clamped to  $V_{SS}$  through a ESD protection diode. There is no diode connection to  $V_{DD}$ . If  $V_{IN}$  greater than  $V_{IO\_MIN}$  ( $= V_{SS}-0.3\text{ V}$ ) is observed, then there is no need to provide current limiting resistors at the pads. If this limit cannot be observed then a current limiting resistor is required. The negative DC injection current limiting resistor is calculated as  $R = (V_{IO\_MIN} - V_{IN})/|I_{ICIO}|$ .

## 2.2.2 LVD and POR operating requirements

**Table 6.  $V_{DD}$  supply LVD and POR operating requirements**

Symbol	Description	Min.	Typ.	Max.	Unit	Notes
$V_{POR}$	Falling $V_{DD}$ POR detect voltage	0.8	1.1	1.5	V	—
$V_{LVDH}$	Falling low-voltage detect threshold — high range (LVDV = 01)	2.48	2.56	2.64	V	—
$V_{LVW1H}$ $V_{LVW2H}$	Low-voltage warning thresholds — high range <ul style="list-style-type: none"> <li>• Level 1 falling (LVWV = 00)</li> <li>• Level 2 falling (LVWV = 01)</li> </ul>	2.62 2.72	2.70 2.80	2.78 2.88	V V	1

Table continues on the next page...

**Table 6.  $V_{DD}$  supply LVD and POR operating requirements (continued)**

Symbol	Description	Min.	Typ.	Max.	Unit	Notes
$V_{LVW3H}$	<ul style="list-style-type: none"> <li>Level 3 falling (LVWV = 10)</li> </ul>	2.82	2.90	2.98	V	
$V_{LVW4H}$	<ul style="list-style-type: none"> <li>Level 4 falling (LVWV = 11)</li> </ul>	2.92	3.00	3.08	V	
$V_{HYSH}$	Low-voltage inhibit reset/recover hysteresis — high range	—	±60	—	mV	—
$V_{LVDL}$	Falling low-voltage detect threshold — low range (LVDV=00)	1.54	1.60	1.66	V	—
$V_{LVW1L}$	Low-voltage warning thresholds — low range <ul style="list-style-type: none"> <li>Level 1 falling (LVWV = 00)</li> </ul>	1.74	1.80	1.86	V	1
$V_{LVW2L}$	<ul style="list-style-type: none"> <li>Level 2 falling (LVWV = 01)</li> </ul>	1.84	1.90	1.96	V	
$V_{LVW3L}$	<ul style="list-style-type: none"> <li>Level 3 falling (LVWV = 10)</li> </ul>	1.94	2.00	2.06	V	
$V_{LVW4L}$	<ul style="list-style-type: none"> <li>Level 4 falling (LVWV = 11)</li> </ul>	2.04	2.10	2.16	V	
$V_{HYSL}$	Low-voltage inhibit reset/recover hysteresis — low range	—	±40	—	mV	—
$V_{BG}$	Bandgap voltage reference	0.97	1.00	1.03	V	—
$t_{LPO}$	Internal low power oscillator period — factory trimmed	900	1000	1100	µs	—

1. Rising thresholds are falling threshold + hysteresis voltage

## 2.2.3 Voltage and current operating behaviors

**Table 7. Voltage and current operating behaviors**

Symbol	Description	Min.	Max.	Unit	Notes
$V_{OH}$	Output high voltage — Normal drive pad (except RESET) <ul style="list-style-type: none"> <li><math>2.7\text{ V} \leq V_{DD} \leq 3.6\text{ V}</math>, <math>I_{OH} = -5\text{ mA}</math></li> <li><math>1.71\text{ V} \leq V_{DD} \leq 2.7\text{ V}</math>, <math>I_{OH} = -2.5\text{ mA}</math></li> </ul>	$V_{DD} - 0.5$ $V_{DD} - 0.5$	—	V	1, 2
$V_{OH}$	Output high voltage — High drive pad (except RESET) <ul style="list-style-type: none"> <li><math>2.7\text{ V} \leq V_{DD} \leq 3.6\text{ V}</math>, <math>I_{OH} = -20\text{ mA}</math></li> <li><math>1.71\text{ V} \leq V_{DD} \leq 2.7\text{ V}</math>, <math>I_{OH} = -10\text{ mA}</math></li> </ul>	$V_{DD} - 0.5$ $V_{DD} - 0.5$	—	V	1, 2
$I_{OHT}$	Output high current total for all ports	—	100	mA	—
$V_{OL}$	Output low voltage — Normal drive pad <ul style="list-style-type: none"> <li><math>2.7\text{ V} \leq V_{DD} \leq 3.6\text{ V}</math>, <math>I_{OL} = 5\text{ mA}</math></li> <li><math>1.71\text{ V} \leq V_{DD} \leq 2.7\text{ V}</math>, <math>I_{OL} = 2.5\text{ mA}</math></li> </ul>	—	0.5	V	1
$V_{OL}$	Output low voltage — High drive pad	—	0.5	V	1

Table continues on the next page...



**Table 7. Voltage and current operating behaviors (continued)**

Symbol	Description	Min.	Max.	Unit	Notes
	<ul style="list-style-type: none"> <li>• <math>2.7\text{ V} \leq V_{DD} \leq 3.6\text{ V}</math>, <math>I_{OL} = 20\text{ mA}</math></li> <li>• <math>1.71\text{ V} \leq V_{DD} \leq 2.7\text{ V}</math>, <math>I_{OL} = 10\text{ mA}</math></li> </ul>	—	0.5	V	
		—	0.5	V	
$I_{OLT}$	Output low current total for all ports	—	100	mA	—
$I_{IN}$	Input leakage current (per pin) for full temperature range	—	1	$\mu\text{A}$	3
$I_{IN}$	Input leakage current (per pin) at 25 °C	—	0.025	$\mu\text{A}$	3
$I_{IN}$	Input leakage current (total all pins) for full temperature range	—	41	$\mu\text{A}$	3
$I_{OZ}$	Hi-Z (off-state) leakage current (per pin)	—	1	$\mu\text{A}$	—
$R_{PU}$	Internal pullup resistors	20	50	k $\Omega$	4

1. I/O have both high drive and normal drive capability selected by the associated PTx\_PCRn[DSE] control bit. All other GPIOs are normal drive only.
2. The reset pin only contains an active pull down device when configured as the RESET signal or as a GPIO. When configured as a GPIO output, it acts as a pseudo open drain output.
3. Measured at  $V_{DD} = 3.6\text{ V}$
4. Measured at  $V_{DD}$  supply voltage =  $V_{DD}$  min and  $V_{input} = V_{SS}$

## 2.2.4 Power mode transition operating behaviors

All specifications except  $t_{POR}$  and  $VLLSx \rightarrow RUN$  recovery times in the following table assume this clock configuration:

- CPU and system clocks = 48 MHz
- Bus and flash clock = 24 MHz
- HIRC clock mode

$VLLSx \rightarrow RUN$  recovery uses LIRC clock mode at the default CPU and system frequency of 8 MHz, and a bus and flash clock frequency of 4 MHz.

**Table 8. Power mode transition operating behaviors**

Symbol	Description	Min.	Typ.	Max.	Unit	Note
$t_{POR}$	After a POR event, amount of time from the point $V_{DD}$ reaches 1.8 V to execution of the first instruction across the operating temperature range of the chip.	—	—	300	$\mu\text{s}$	1
	• $VLLS0 \rightarrow RUN$	—	152	166	$\mu\text{s}$	—
	• $VLLS1 \rightarrow RUN$	—	152	166	$\mu\text{s}$	—

*Table continues on the next page...*

**Table 8. Power mode transition operating behaviors (continued)**

Symbol	Description	Min.	Typ.	Max.	Unit	Note
	• VLLS3 → RUN	—	93	104	μs	—
	• VLPS → RUN	—	7.5	8	μs	—
	• STOP → RUN	—	7.5	8	μs	—

1. Normal boot (FTFA\_FOFT[LPBOOT]=11).

## 2.2.5 Power consumption operating behaviors

**Table 9. KL03 QFN packages power consumption operating behaviors**

Symbol	Description	Min.	Typ.	Max. <sup>1</sup>	Unit	Notes
I <sub>DDA</sub>	Analog supply current	—	—	See note	mA	2
I <sub>DD_RUNCO</sub>	Running CoreMark in flash in compute operation mode—48M HIRC mode, 48 MHz core / 24 MHz flash, V <sub>DD</sub> = 3.0 V <ul style="list-style-type: none"> <li>• at 25 °C</li> <li>• at 105 °C</li> </ul>	— —	5.49 5.62	5.71 5.84	mA	3
I <sub>DD_RUNCO</sub>	Running While(1) loop in flash in compute operation mode—48M HIRC mode, 48 MHz core / 24 MHz flash, V <sub>DD</sub> = 3.0 V <ul style="list-style-type: none"> <li>• at 25 °C</li> <li>• at 105 °C</li> </ul>	— —	5.16 5.27	5.37 5.48	mA	3
I <sub>DD_RUN</sub>	Run mode current—48M HIRC mode, running CoreMark in Flash all peripheral clock disable 48 MHz core/24 MHz flash, V <sub>DD</sub> = 3.0 V <ul style="list-style-type: none"> <li>• at 25 °C</li> <li>• at 105 °C</li> </ul>	— —	6.03 6.16	6.27 6.41	mA	3
I <sub>DD_RUN</sub>	Run mode current—48M HIRC mode, running CoreMark in flash all peripheral clock disable, 24 MHz core/12 MHz flash, V <sub>DD</sub> = 3.0 V <ul style="list-style-type: none"> <li>• at 25 °C</li> <li>• at 105 °C</li> </ul>	— —	3.71 3.81	3.86 3.96	mA	3
I <sub>DD_RUN</sub>	Run mode current—48M HIRC mode, running CoreMark in Flash all peripheral clock disable 12 MHz core/6 MHz flash, V <sub>DD</sub> = 3.0 V <ul style="list-style-type: none"> <li>• at 25 °C</li> <li>• at 105 °C</li> </ul>	— —	2.47 2.58	2.57 2.68	mA	3

Table continues on the next page...

**Table 9. KL03 QFN packages power consumption operating behaviors (continued)**

Symbol	Description	Min.	Typ.	Max. <sup>1</sup>	Unit	Notes
I <sub>DD_RUN</sub>	Run mode current—48M HIRC mode, running CoreMark in Flash all peripheral clock enable 48 MHz core/24 MHz flash, V <sub>DD</sub> = 3.0 V <ul style="list-style-type: none"> <li>at 25 °C</li> <li>at 105 °C</li> </ul>	—	6.43	6.69	mA	3
I <sub>DD_RUN</sub>	Run mode current—48M HIRC mode, running While(1) loop in flash all peripheral clock disable, 48 MHz core/24 MHz flash, V <sub>DD</sub> = 3.0 V <ul style="list-style-type: none"> <li>at 25 °C</li> <li>at 105 °C</li> </ul>	—	5.71	5.94	mA	—
I <sub>DD_RUN</sub>	Run mode current—48M HIRC mode, running While(1) loop in Flash all peripheral clock disable, 24 MHz core/12 MHz flash, V <sub>DD</sub> = 3.0 V <ul style="list-style-type: none"> <li>at 25 °C</li> <li>at 105 °C</li> </ul>	—	3.3	3.43	mA	—
I <sub>DD_RUN</sub>	Run mode current—48M HIRC mode, Running While(1) loop in Flash all peripheral clock disable, 12 MHz core/6 MHz flash, V <sub>DD</sub> = 3.0 V <ul style="list-style-type: none"> <li>at 25 °C</li> <li>at 105 °C</li> </ul>	—	2.28	2.37	mA	—
I <sub>DD_RUN</sub>	Run mode current—48M HIRC mode, Running While(1) loop in Flash all peripheral clock enable, 48 MHz core/24 MHz flash, V <sub>DD</sub> = 3.0 V <ul style="list-style-type: none"> <li>at 25 °C</li> <li>at 105 °C</li> </ul>	—	6.1	6.34	mA	—
I <sub>DD_RUN</sub>	Run mode current—48M HIRC mode, running While(1) loop in SRAM all peripheral clock disable, 48 MHz core/24 MHz flash, V <sub>DD</sub> = 3.0 V <ul style="list-style-type: none"> <li>at 25 °C</li> <li>at 105 °C</li> </ul>	—	3.14	3.23	mA	—
I <sub>DD_RUN</sub>	Run mode current—48M HIRC mode, running While(1) loop in SRAM all peripheral clock enable, 48 MHz core/24 MHz flash, V <sub>DD</sub> = 3.0 V <ul style="list-style-type: none"> <li>at 25 °C</li> <li>at 105 °C</li> </ul>	—	3.54	3.63	mA	—
I <sub>DD_VLPRCO</sub>	Very-low-power run While(1) loop in flash in compute operation mode— 2 MHz LIRC mode, 2 MHz core/0.5 MHz flash, V <sub>DD</sub> = 3.0 V <ul style="list-style-type: none"> <li>at 25 °C</li> </ul>	—	500	750	μA	—
I <sub>DD_VLPRCO</sub>	Very-low-power-run While(1) loop in SRAM in compute operation mode— 8 MHz LIRC mode, 4 MHz core / 1 MHz flash, V <sub>DD</sub> = 3.0 V <ul style="list-style-type: none"> <li>at 25 °C</li> </ul>	—	188	217	μA	—

Table continues on the next page...

**Table 9. KL03 QFN packages power consumption operating behaviors (continued)**

Symbol	Description	Min.	Typ.	Max. <sup>1</sup>	Unit	Notes
I <sub>DD_VLPRCO</sub>	Very-low-power run While(1) loop in SRAM in compute operation mode:—2 MHz LIRC mode, 2 MHz core / 0.5 MHz flash, V <sub>DD</sub> = 3.0 V • at 25 °C	—	82	123	μA	—
I <sub>DD_VLPR</sub>	Very-low-power run mode current— 2 MHz LIRC mode, While(1) loop in flash all peripheral clock disable, 2 MHz core / 0.5 MHz flash, V <sub>DD</sub> = 3.0 V • at 25 °C	—	503	754	μA	—
I <sub>DD_VLPR</sub>	Very-low-power run mode current— 2 MHz LIRC mode, While(1) loop in flash all peripheral clock disable, 125 kHz core / 31.25 kHz flash, V <sub>DD</sub> = 3.0 V • at 25 °C	—	60	90	μA	—
I <sub>DD_VLPR</sub>	Very-low-power run mode current— 2 MHz LIRC mode, While(1) loop in flash all peripheral clock enable, 2 MHz core / 0.5 MHz flash, V <sub>DD</sub> = 3.0 V • at 25 °C	—	516	774	μA	—
I <sub>DD_VLPR</sub>	Very-low-power run mode current— 8 MHz LIRC mode, While(1) loop in SRAM in all peripheral clock disable, 4 MHz core / 1 MHz flash, V <sub>DD</sub> = 3.0 V • at 25 °C	—	209	350	μA	—
I <sub>DD_VLPR</sub>	Very-low-power run mode current— 8 MHz LIRC mode, While(1) loop in SRAM all peripheral clock enable, 4 MHz core / 1 MHz flash, V <sub>DD</sub> = 3.0 V • at 25 °C	—	229	370	μA	—
I <sub>DD_VLPR</sub>	Very-low-power run mode current—2 MHz LIRC mode, While(1) loop in SRAM in all peripheral clock disable, 2 MHz core / 0.5 MHz flash, V <sub>DD</sub> = 3.0 V • at 25 °C	—	93	140	μA	—
I <sub>DD_VLPR</sub>	Very-low-power run mode current—2 MHz LIRC mode, While(1) loop in SRAM all peripheral clock disable, 125 kHz core / 31.25 kHz flash, V <sub>DD</sub> = 3.0 V • at 25 °C	—	31	81	μA	—
I <sub>DD_VLPR</sub>	Very-low-power run mode current—2 MHz LIRC mode, While(1) loop in SRAM all peripheral clock enable, 2 MHz core / 0.5 MHz flash, V <sub>DD</sub> = 3.0 V • at 25 °C	—	103	154	μA	—
I <sub>DD_WAIT</sub>	Wait mode current—core disabled, 48 MHz system/24 MHz bus, flash disabled (flash doze enabled), all peripheral clocks disabled, MCG_Lite under HIRC mode, V <sub>DD</sub> = 3.0 V	—	1.4	1.94	mA	—

Table continues on the next page...

**Table 9. KL03 QFN packages power consumption operating behaviors (continued)**

Symbol	Description	Min.	Typ.	Max. <sup>1</sup>	Unit	Notes
I <sub>DD_WAIT</sub>	Wait mode current—core disabled, 24 MHz system/12 MHz bus, flash disabled (flash doze enabled), all peripheral clocks disabled, MCG_Lite under HIRC mode, V <sub>DD</sub> = 3.0 V	—	1.02	1.24	mA	—
I <sub>DD_VLPW</sub>	Very-low-power run wait current, core disabled, 4 MHz system/ 1 MHz bus and flash, all peripheral clocks disabled, V <sub>DD</sub> = 3.0 V	—	121	181	μA	—
I <sub>DD_VLPW</sub>	Very-low-power run wait current, core disabled, 2 MHz system/ 0.5 MHz bus and flash, all peripheral clocks disabled, V <sub>DD</sub> = 3.0 V	—	59	97	μA	—
I <sub>DD_VLPW</sub>	Very-low-power run wait current, core disabled, 125 kHz system/ 31.25 kHz bus and flash, all peripheral clocks disabled, V <sub>DD</sub> = 3.0 V	—	28	42	μA	—
I <sub>DD_PSTOP2</sub>	Partial Stop 2, core and system clock disabled, 12 MHz bus and flash, V <sub>DD</sub> = 3.0 V	—	1.53	2.03	mA	—
I <sub>DD_PSTOP2</sub>	Partial Stop 2, core and system clock disabled, flash doze enabled, 12 MHz bus, V <sub>DD</sub> = 3.0 V	—	0.881	1.18	mA	—
I <sub>DD_STOP</sub>	Stop mode current at 3.0 V <ul style="list-style-type: none"> <li>• at 25 °C and below</li> <li>• at 50 °C</li> <li>• at 85 °C</li> <li>• at 105 °C</li> </ul>	—	158	175.7	μA	—
		—	164	179.48		
		—	187	199.54		
		—	219	236.43		
I <sub>DD_VLPS</sub>	Very-low-power stop mode current at 3.0 V <ul style="list-style-type: none"> <li>• at 25 °C and below</li> <li>• at 50 °C</li> <li>• at 85 °C</li> <li>• at 105 °C</li> </ul>	—	2.2	2.71	μA	—
		—	3.9	6.63		
		—	13.9	18.25		
		—	28.4	36.59		
I <sub>DD_VLPS</sub>	Very-low-power stop mode current at 1.8 V <ul style="list-style-type: none"> <li>• at 25 °C and below</li> <li>• at 50 °C</li> <li>• at 85 °C</li> <li>• at 105 °C</li> </ul>	—	2.2	2.674	μA	—
		—	3.8	6.44		
		—	13.2	17.37		
		—	27.8	35.54		
I <sub>DD_VLLS3</sub>	Very-low-leakage stop mode 3 current, all peripheral disable, at 3.0 V <ul style="list-style-type: none"> <li>• at 25 °C and below</li> <li>• at 50 °C</li> <li>• at 85 °C</li> <li>• at 105 °C</li> </ul>	—	1.08	1.17	μA	—
		—	1.4	1.52		
		—	3.45	3.96		
		—	7.02	8.19		

Table continues on the next page...

**Table 9. KL03 QFN packages power consumption operating behaviors (continued)**

Symbol	Description	Min.	Typ.	Max. <sup>1</sup>	Unit	Notes
I <sub>DD_VLLS3</sub>	Very-low-leakage stop mode 3 current with RTC current, at 3.0 V <ul style="list-style-type: none"> <li>at 25 °C and below</li> <li>at 50 °C</li> <li>at 85 °C</li> <li>at 105 °C</li> </ul>	—	1.47	1.56	μA	—
		—	1.82	1.94		
		—	3.93	4.44		
		—	7.6	8.77		
I <sub>DD_VLLS3</sub>	Very-low-leakage stop mode 3 current with RTC current, at 1.8 V <ul style="list-style-type: none"> <li>at 25 °C and below</li> <li>at 50 °C</li> <li>at 85 °C</li> <li>at 105 °C</li> </ul>	—	1.33	1.42	μA	—
		—	1.65	1.77		
		—	3.56	4.07		
		—	6.92	8.09		
I <sub>DD_VLLS1</sub>	Very-low-leakage stop mode 1 current all peripheral disabled at 3.0 V <ul style="list-style-type: none"> <li>at 25 °C and below</li> <li>at 50 °C</li> <li>at 85 °C</li> <li>at 105 °C</li> </ul>	—	566	690	nA	—
		—	788	839		
		—	2270	2600		
		—	4980	5820		
I <sub>DD_VLLS1</sub>	Very-low-leakage stop mode 1 current RTC enabled at 3.0 V <ul style="list-style-type: none"> <li>at 25 °C and below</li> <li>at 50 °C</li> <li>at 85 °C</li> <li>at 105 °C</li> </ul>	—	969	1059	nA	—
		—	1200	1251		
		—	2740	3070		
		—	5610	6450		
I <sub>DD_VLLS1</sub>	Very-low-leakage stop mode 1 current RTC enabled at 1.8 V <ul style="list-style-type: none"> <li>at 25 °C and below</li> <li>at 50 °C</li> <li>at 85 °C</li> <li>at 105 °C</li> </ul>	—	826	916	nA	—
		—	1040	1091		
		—	2400	2730		
		—	4910	5750		
I <sub>DD_VLLS0</sub>	Very-low-leakage stop mode 0 current all peripheral disabled (SMC_STOPCTRL[PORPO] = 0) at 3.0 V <ul style="list-style-type: none"> <li>at 25 °C and below</li> <li>at 50 °C</li> <li>at 85 °C</li> <li>at 105 °C</li> </ul>	—	265	373	nA	—
		—	467	512.9		
		—	1920	2256		
		—	4540	5395		

Table continues on the next page...

**Table 9. KL03 QFN packages power consumption operating behaviors (continued)**

Symbol	Description	Min.	Typ.	Max. <sup>1</sup>	Unit	Notes
I <sub>DD_VLLS0</sub>	Very-low-leakage stop mode 0 current all peripheral disabled (SMC_STOPCTRL[PORPO] = 1) at 3 V <ul style="list-style-type: none"> <li>• at 25 °C and below</li> <li>• at 50 °C</li> <li>• at 85 °C</li> <li>• at 105 °C</li> </ul>	—	77	350	nA	4
		—	255	465.70		
		—	1640	1994		
		—	4080	4956		

1. The maximum values represent characterized results equivalent to the mean plus three times the standard deviation (mean + 3 sigma).
2. The analog supply current is the sum of the active or disabled current for each of the analog modules on the device. See each module's specification for its supply current.
3. MCG\_Lite configured for HIRC mode. CoreMark benchmark compiled using IAR 7.10 with optimization level high, optimized for balanced.
4. No brownout

**Table 10. KL03 WLCSP package power consumption operating behaviors**

Symbol	Description	Min.	Typ.	Max. <sup>1</sup>	Unit	Notes
I <sub>DDA</sub>	Analog supply current	—	—	See note	mA	2
I <sub>DD_RUNCO</sub>	Running CoreMark in flash in compute operation mode—48M HIRC mode, 48 MHz core / 24 MHz flash, V <sub>DD</sub> = 3.0 V <ul style="list-style-type: none"> <li>• at 25 °C</li> <li>• at 85 °C</li> </ul>	—	5.49	5.71	mA	3
		—	5.59	5.81		
I <sub>DD_RUNCO</sub>	Running While(1) loop in flash in compute operation mode—48M HIRC mode, 48 MHz core / 24 MHz flash, V <sub>DD</sub> = 3.0 V <ul style="list-style-type: none"> <li>• at 25 °C</li> <li>• at 85 °C</li> </ul>	—	5.16	5.37	mA	3
		—	5.24	5.45		
I <sub>DD_RUN</sub>	Run mode current—48M HIRC mode, running CoreMark in Flash all peripheral clock disable 48 MHz core/24 MHz flash, V <sub>DD</sub> = 3.0 V <ul style="list-style-type: none"> <li>• at 25 °C</li> <li>• at 85 °C</li> </ul>	—	6.03	6.27	mA	3
		—	6.13	6.38		
I <sub>DD_RUN</sub>	Run mode current—48M HIRC mode, running CoreMark in flash all peripheral clock disable, 24 MHz core/12 MHz flash, V <sub>DD</sub> = 3.0 V <ul style="list-style-type: none"> <li>• at 25 °C</li> <li>• at 85 °C</li> </ul>	—	3.71	3.86	mA	3
		—	3.78	3.93		
I <sub>DD_RUN</sub>	Run mode current—48M HIRC mode, running CoreMark in Flash all peripheral clock disable 12 MHz core/6 MHz flash, V <sub>DD</sub> = 3.0 V	—	2.47	2.57	mA	3

Table continues on the next page...

**Table 10. KL03 WLCSP package power consumption operating behaviors (continued)**

Symbol	Description	Min.	Typ.	Max. <sup>1</sup>	Unit	Notes
	<ul style="list-style-type: none"> <li>at 25 °C</li> <li>at 85 °C</li> </ul>	—	2.55	2.65		
I <sub>DD_RUN</sub>	Run mode current—48M HIRC mode, running CoreMark in Flash all peripheral clock enable 48 MHz core/24 MHz flash, V <sub>DD</sub> = 3.0 V <ul style="list-style-type: none"> <li>at 25 °C</li> <li>at 85 °C</li> </ul>	—	6.43	6.69	mA	3
I <sub>DD_RUN</sub>	Run mode current—48M HIRC mode, running While(1) loop in flash all peripheral clock disable, 48 MHz core/24 MHz flash, V <sub>DD</sub> = 3.0 V <ul style="list-style-type: none"> <li>at 25 °C</li> <li>at 85 °C</li> </ul>	—	5.71	5.94	mA	—
I <sub>DD_RUN</sub>	Run mode current—48M HIRC mode, running While(1) loop in Flash all peripheral clock disable, 24 MHz core/12 MHz flash, V <sub>DD</sub> = 3.0 V <ul style="list-style-type: none"> <li>at 25 °C</li> <li>at 85 °C</li> </ul>	—	3.3	3.43	mA	—
I <sub>DD_RUN</sub>	Run mode current—48M HIRC mode, Running While(1) loop in Flash all peripheral clock disable, 12 MHz core/6 MHz flash, V <sub>DD</sub> = 3.0 V <ul style="list-style-type: none"> <li>at 25 °C</li> <li>at 85 °C</li> </ul>	—	2.28	2.37	mA	—
I <sub>DD_RUN</sub>	Run mode current—48M HIRC mode, Running While(1) loop in Flash all peripheral clock enable, 48 MHz core/24 MHz flash, V <sub>DD</sub> = 3.0 V <ul style="list-style-type: none"> <li>at 25 °C</li> <li>at 85 °C</li> </ul>	—	6.1	6.34	mA	—
I <sub>DD_RUN</sub>	Run mode current—48M HIRC mode, running While(1) loop in SRAM all peripheral clock disable, 48 MHz core/24 MHz flash, V <sub>DD</sub> = 3.0 V <ul style="list-style-type: none"> <li>at 25 °C</li> <li>at 85 °C</li> </ul>	—	3.14	3.23	mA	—
I <sub>DD_RUN</sub>	Run mode current—48M HIRC mode, running While(1) loop in SRAM all peripheral clock enable, 48 MHz core/24 MHz flash, V <sub>DD</sub> = 3.0 V <ul style="list-style-type: none"> <li>at 25 °C</li> <li>at 85 °C</li> </ul>	—	3.54	3.63	mA	—

Table continues on the next page...



**Table 10. KL03 WLCSP package power consumption operating behaviors (continued)**

Symbol	Description	Min.	Typ.	Max. <sup>1</sup>	Unit	Notes
I <sub>DD_VLPRCO</sub>	Very-low-power run While(1) loop in flash in compute operation mode— 2 MHz LIRC mode, 2 MHz core/0.5 MHz flash, V <sub>DD</sub> = 3.0 V • at 25 °C	—	500	750	μA	—
I <sub>DD_VLPRCO</sub>	Very-low-power-run While(1) loop in SRAM in compute operation mode— 8 MHz LIRC mode, 4 MHz core / 1 MHz flash, V <sub>DD</sub> = 3.0 V • at 25 °C	—	188	217	μA	—
I <sub>DD_VLPRCO</sub>	Very-low-power run While(1) loop in SRAM in compute operation mode:—2 MHz LIRC mode, 2 MHz core / 0.5 MHz flash, V <sub>DD</sub> = 3.0 V • at 25 °C	—	82	123	μA	—
I <sub>DD_VLPR</sub>	Very-low-power run mode current— 2 MHz LIRC mode, While(1) loop in flash all peripheral clock disable, 2 MHz core / 0.5 MHz flash, V <sub>DD</sub> = 3.0 V • at 25 °C	—	503	754	μA	—
I <sub>DD_VLPR</sub>	Very-low-power run mode current— 2 MHz LIRC mode, While(1) loop in flash all peripheral clock disable, 125 kHz core / 31.25 kHz flash, V <sub>DD</sub> = 3.0 V • at 25 °C	—	60	90	μA	—
I <sub>DD_VLPR</sub>	Very-low-power run mode current— 2 MHz LIRC mode, While(1) loop in flash all peripheral clock enable, 2 MHz core / 0.5 MHz flash, V <sub>DD</sub> = 3.0 V • at 25 °C	—	516	774	μA	—
I <sub>DD_VLPR</sub>	Very-low-power run mode current— 8 MHz LIRC mode, While(1) loop in SRAM in all peripheral clock disable, 4 MHz core / 1 MHz flash, V <sub>DD</sub> = 3.0 V • at 25 °C	—	209	350	μA	—
I <sub>DD_VLPR</sub>	Very-low-power run mode current— 8 MHz LIRC mode, While(1) loop in SRAM all peripheral clock enable, 4 MHz core / 1 MHz flash, V <sub>DD</sub> = 3.0 V • at 25 °C	—	229	370	μA	—
I <sub>DD_VLPR</sub>	Very-low-power run mode current—2 MHz LIRC mode, While(1) loop in SRAM in all peripheral clock disable, 2 MHz core / 0.5 MHz flash, V <sub>DD</sub> = 3.0 V • at 25 °C	—	93	140	μA	—
I <sub>DD_VLPR</sub>	Very-low-power run mode current—2 MHz LIRC mode, While(1) loop in SRAM all peripheral clock disable, 125 kHz core / 31.25 kHz flash, V <sub>DD</sub> = 3.0 V • at 25 °C	—	31	81	μA	—
I <sub>DD_VLPR</sub>	Very-low-power run mode current—2 MHz LIRC mode, While(1) loop in SRAM all	—				—

Table continues on the next page...

**Table 10. KL03 WLCSP package power consumption operating behaviors (continued)**

Symbol	Description	Min.	Typ.	Max. <sup>1</sup>	Unit	Notes
	peripheral clock enable, 2 MHz core / 0.5 MHz flash, V <sub>DD</sub> = 3.0 V <ul style="list-style-type: none"> <li>at 25 °C</li> </ul>	—	103	154	μA	
I <sub>DD_WAIT</sub>	Wait mode current—core disabled, 48 MHz system/24 MHz bus, flash disabled (flash doze enabled), all peripheral clocks disabled, MCG_Lite under HIRC mode, V <sub>DD</sub> = 3.0 V	—	1.4	1.94	mA	—
I <sub>DD_WAIT</sub>	Wait mode current—core disabled, 24 MHz system/12 MHz bus, flash disabled (flash doze enabled), all peripheral clocks disabled, MCG_Lite under HIRC mode, V <sub>DD</sub> = 3.0 V	—	1.02	1.24	mA	—
I <sub>DD_VLPW</sub>	Very-low-power run wait current, core disabled, 4 MHz system/ 1 MHz bus and flash, all peripheral clocks disabled, V <sub>DD</sub> = 3.0 V	—	121	181	μA	—
I <sub>DD_VLPW</sub>	Very-low-power run wait current, core disabled, 2 MHz system/ 0.5 MHz bus and flash, all peripheral clocks disabled, V <sub>DD</sub> = 3.0 V	—	59	97	μA	—
I <sub>DD_VLPW</sub>	Very-low-power run wait current, core disabled, 125 kHz system/ 31.25 kHz bus and flash, all peripheral clocks disabled, V <sub>DD</sub> = 3.0 V	—	28	42	μA	—
I <sub>DD_PSTOP2</sub>	Partial Stop 2, core and system clock disabled, 12 MHz bus and flash, V <sub>DD</sub> = 3.0 V	—	1.53	2.03	mA	—
I <sub>DD_PSTOP2</sub>	Partial Stop 2, core and system clock disabled, flash doze enabled, 12 MHz bus, V <sub>DD</sub> = 3.0 V	—	0.881	1.18	mA	—
I <sub>DD_STOP</sub>	Stop mode current at 3.0 V <ul style="list-style-type: none"> <li>at 25 °C and below</li> <li>at 50 °C</li> <li>at 85 °C</li> </ul>	— — —	158 164 187	175.7 179.48 199.54	μA	—
I <sub>DD_VLPS</sub>	Very-low-power stop mode current at 3.0 V <ul style="list-style-type: none"> <li>at 25 °C and below</li> <li>at 50 °C</li> <li>at 85 °C</li> </ul>	— — —	2.2 3.9 13.9	2.71 6.63 18.25	μA	—
I <sub>DD_VLPS</sub>	Very-low-power stop mode current at 1.8 V <ul style="list-style-type: none"> <li>at 25 °C and below</li> <li>at 50 °C</li> <li>at 85 °C</li> </ul>	— — —	2.2 3.8 13.2	2.674 6.44 17.37	μA	—
I <sub>DD_VLLS3</sub>	Very-low-leakage stop mode 3 current, all peripheral disable, at 3.0 V <ul style="list-style-type: none"> <li>at 25 °C and below</li> </ul>	— —	1.08 1.4	1.17 1.52	μA	—

Table continues on the next page...

**Table 10. KL03 WLCSP package power consumption operating behaviors (continued)**

Symbol	Description	Min.	Typ.	Max. <sup>1</sup>	Unit	Notes
	<ul style="list-style-type: none"> <li>at 50 °C</li> <li>at 85 °C</li> </ul>	—	3.45	3.96		
I <sub>DD_VLLS3</sub>	Very-low-leakage stop mode 3 current with RTC current, at 3.0 V <ul style="list-style-type: none"> <li>at 25 °C and below</li> <li>at 50 °C</li> <li>at 85 °C</li> </ul>	—	1.47	1.56	μA	—
		—	1.82	1.94		
		—	3.93	4.44		
I <sub>DD_VLLS3</sub>	Very-low-leakage stop mode 3 current with RTC current, at 1.8 V <ul style="list-style-type: none"> <li>at 25 °C and below</li> <li>at 50 °C</li> <li>at 85 °C</li> </ul>	—	1.33	1.42	μA	—
		—	1.65	1.77		
		—	3.56	4.07		
I <sub>DD_VLLS1</sub>	Very-low-leakage stop mode 1 current all peripheral disabled at 3.0 V <ul style="list-style-type: none"> <li>at 25 °C and below</li> <li>at 50 °C</li> <li>at 85 °C</li> </ul>	—	566	690	nA	—
		—	788	839		
		—	2270	2600		
I <sub>DD_VLLS1</sub>	Very-low-leakage stop mode 1 current RTC enabled at 3.0 V <ul style="list-style-type: none"> <li>at 25 °C and below</li> <li>at 50 °C</li> <li>at 85 °C</li> </ul>	—	969	1059	nA	—
		—	1200	1251		
		—	2740	3070		
I <sub>DD_VLLS1</sub>	Very-low-leakage stop mode 1 current RTC enabled at 1.8 V <ul style="list-style-type: none"> <li>at 25 °C and below</li> <li>at 50 °C</li> <li>at 85 °C</li> </ul>	—	826	916	nA	—
		—	1040	1091		
		—	2400	2730		
I <sub>DD_VLLS0</sub>	Very-low-leakage stop mode 0 current all peripheral disabled (SMC_STOPCTRL[PORPO] = 0) at 3.0 V <ul style="list-style-type: none"> <li>at 25 °C and below</li> <li>at 50 °C</li> <li>at 85 °C</li> </ul>	—	265	373	nA	—
		—	467	512.9		
		—	1920	2256		
I <sub>DD_VLLS0</sub>	Very-low-leakage stop mode 0 current all peripheral disabled (SMC_STOPCTRL[PORPO] = 1) at 3 V <ul style="list-style-type: none"> <li>at 25 °C and below</li> <li>at 50 °C</li> <li>at 85 °C</li> </ul>	—	77	350	nA	4
		—	255	465.70		
		—	1640	1994		

**General**

1. The maximum values represent characterized results equivalent to the mean plus three times the standard deviation (mean + 3 sigma).
2. The analog supply current is the sum of the active or disabled current for each of the analog modules on the device. See each module's specification for its supply current.
3. MCG\_Lite configured for HIRC mode. CoreMark benchmark compiled using IAR 7.10 with optimization level high, optimized for balanced.
4. No brownout

**Table 11. Low power mode peripheral adders — typical value**

Symbol	Description	Temperature (°C)						Unit
		-40	25	50	70	85	105 <sup>1</sup>	
I <sub>LIRC8MHz</sub>	8 MHz internal reference clock (LIRC) adder. Measured by entering STOP or VLPS mode with 8 MHz LIRC enabled, MCG_SC[FCRDIV]=000b, MCG_MC[LIRC_DIV2]=000b.	68	68	68	68	68	68	μA
I <sub>LIRC2MHz</sub>	2 MHz internal reference clock (LIRC) adder. Measured by entering STOP mode with the 2 MHz LIRC enabled, MCG_SC[FCRDIV]=000b, MCG_MC[LIRC_DIV2]=000b.	27	27	27	27	27	27	μA
I <sub>EREFSTEN32KHz</sub>	External 32 kHz crystal clock adder by means of the OSC0_CR[EREFSTEN and EREFSTEN] bits. Measured by entering all modes with the crystal enabled. <ul style="list-style-type: none"> <li>• VLLS1</li> <li>• VLLS3</li> <li>• VLPS</li> <li>• STOP</li> </ul>	340	410	460	470	480	600	nA
		340	410	460	490	530	600	
		340	420	480	570	610	850	
		340	420	480	570	610	850	
I <sub>LPTMR</sub>	LPTMR peripheral adder measured by placing the device in VLLS1 mode with LPTMR enabled using LPO.							nA
		30	30	30	85	100	200	
I <sub>CMP</sub>	CMP peripheral adder measured by placing the device in VLLS1 mode with CMP enabled using the 6-bit DAC and a single external input for compare. Includes 6-bit DAC power consumption.	15	15	15	15	15	15	μA
I <sub>RTC</sub>	RTC peripheral adder measured by placing the device in VLLS1 mode with external 32 kHz crystal enabled by means of the RTC_CR[OSCE] bit and the RTC ALARM set for 1 minute. Includes ERCLK32K (32 kHz external crystal) power consumption.	340	440	440	480	520	620	nA
I <sub>UART</sub>	UART peripheral adder measured by placing the device in STOP or VLPS mode with selected clock source waiting for RX data at 115200 baud rate.							

Table continues on the next page...

**Table 11. Low power mode peripheral adders — typical value (continued)**

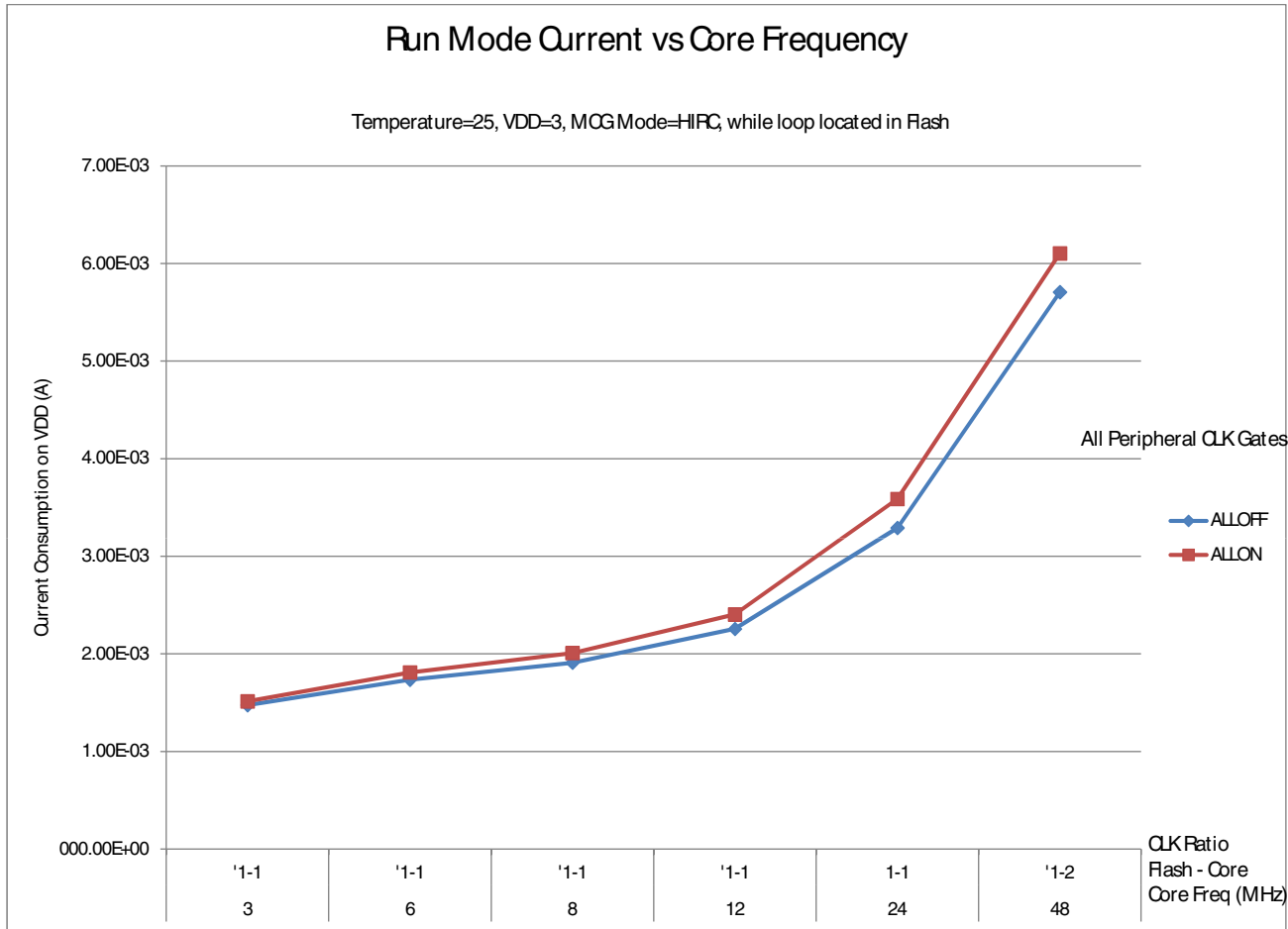
Symbol	Description	Temperature (°C)						Unit
		-40	25	50	70	85	105 <sup>1</sup>	
	Includes selected clock source power consumption. <ul style="list-style-type: none"> <li>LIRC8M (8 MHz internal reference clock)</li> <li>LIRC2M (2 MHz internal reference clock)</li> </ul>	85	85	85	85	85	85	μA
		28	28	28	28	28	28	
$I_{TPM}$	TPM peripheral adder measured by placing the device in STOP or VLPS mode with selected clock source configured for output compare generating 100 Hz clock signal. No load is placed on the I/O generating the clock signal. Includes selected clock source and I/O switching currents. <ul style="list-style-type: none"> <li>LIRC8M (8 MHz internal reference clock)</li> <li>LIRC2M (2 MHz internal reference clock)</li> </ul>							μA
		93	93	93	93	93	93	
		35	35	35	35	35	35	
$I_{BG}$	Bandgap adder when BGEN bit is set and device is placed in VLPx or VLLSx mode.	45	45	45	45	45	45	μA
$I_{ADC}$	ADC peripheral adder combining the measured values at $V_{DD}$ and $V_{DDA}$ by placing the device in STOP or VLPS mode. ADC is configured for low power mode using the internal clock and continuous conversions.	340	340	340	340	340	340	μA

1. For QFN packages only.

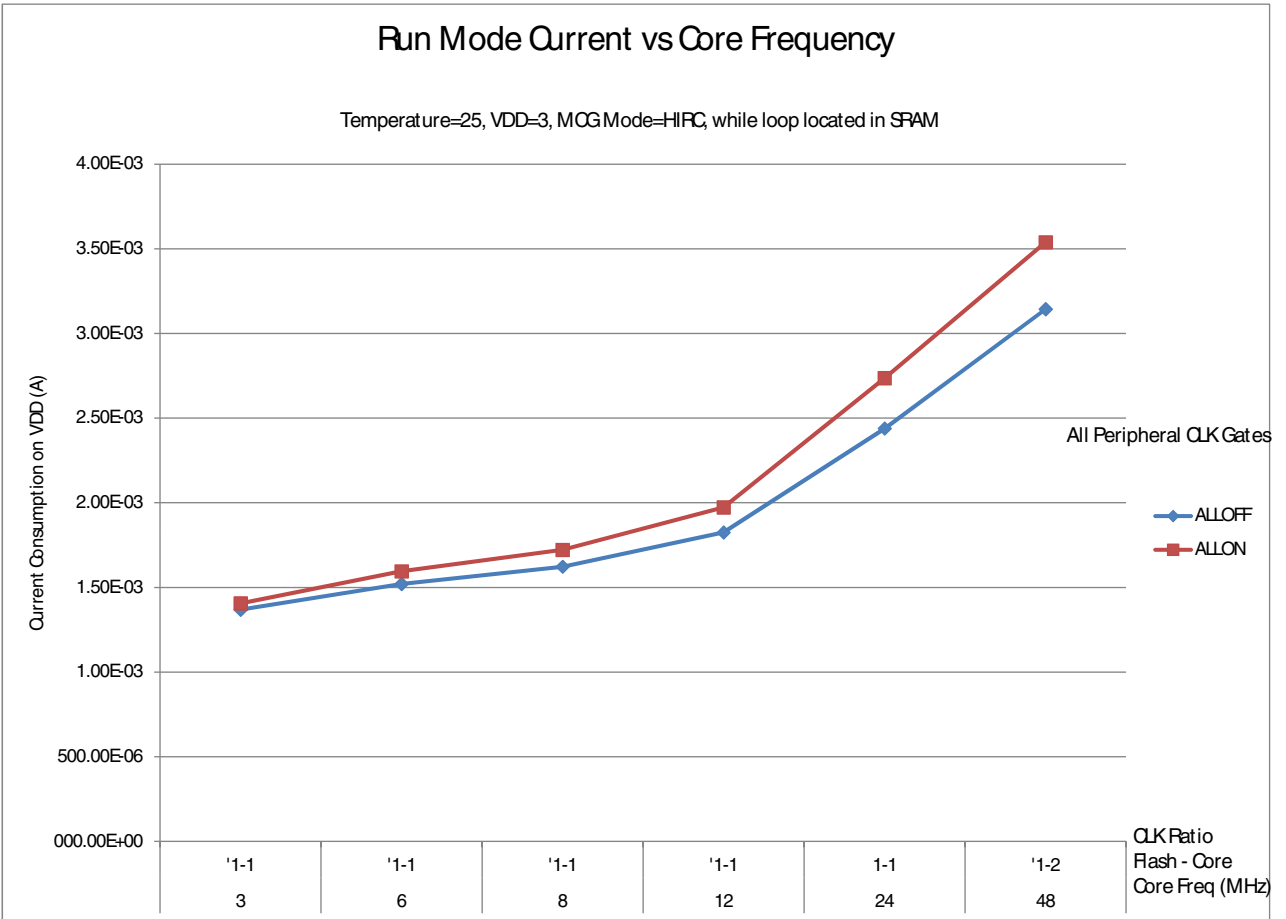
### 2.2.5.1 Diagram: Typical $I_{DD\_RUN}$ operating behavior

The following data was measured under these conditions:

- MCG-Lite in HIRC for run mode, and LIRC for VLPR mode
- No GPIOs toggled
- Code execution from flash
- For the ALLOFF curve, all peripheral clocks are disabled except FTFA



**Figure 3. Run mode supply current vs. core frequency (loop located in flash)**



**Figure 4. Run mode supply current vs. core frequency (loop located in SRAM)**

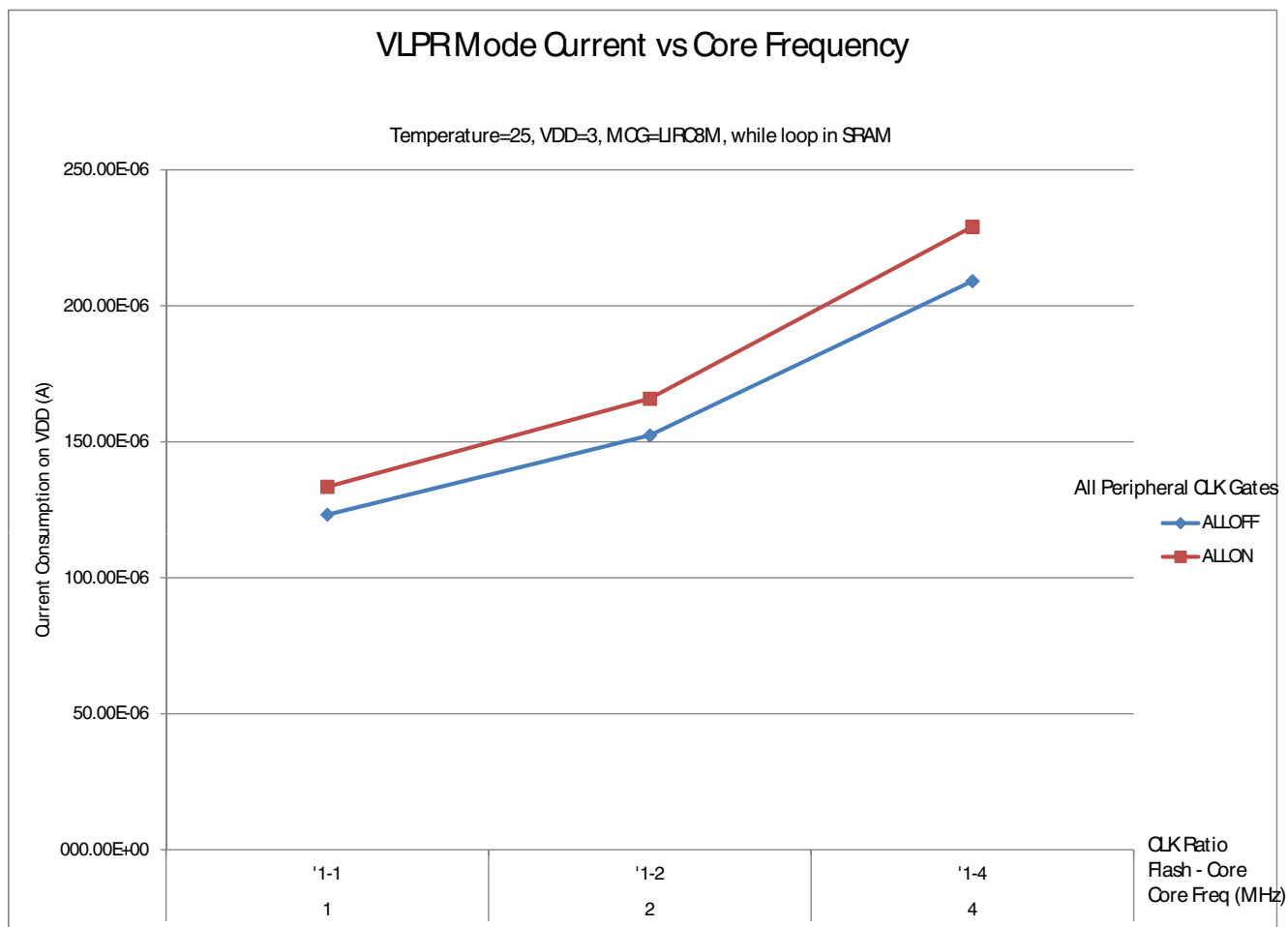


Figure 5. VLPR mode current vs. core frequency (loop in SRAM)

## 2.2.6 EMC radiated emissions operating behaviors

Table 12. EMC radiated emissions operating behaviors for 24-pin QFN package

Symbol	Description	Frequency band (MHz)	Typ.	Unit	Notes
V <sub>RE1</sub>	Radiated emissions voltage, band 1	0.15–50	5	dBμV	1, 2
V <sub>RE2</sub>	Radiated emissions voltage, band 2	50–150	7	dBμV	
V <sub>RE3</sub>	Radiated emissions voltage, band 3	150–500	5	dBμV	
V <sub>RE4</sub>	Radiated emissions voltage, band 4	500–1000	5	dBμV	
V <sub>RE_IEC</sub>	IEC/SAE level	0.15–1000	N	—	2, 3

1. Determined according to IEC 61967-2 (and SAE J1752/3) radiated radio frequency (RF) emissions measurement standard. Typical Configuration: Appendix B: DUT Software Configuration—2. Typical Configuration.
2. V<sub>DD</sub> = 3.3 V, T<sub>A</sub> = 25 °C, f<sub>irc48m</sub> = 48 MHz, f<sub>sys</sub> = 48 MHz, f<sub>bus</sub> = 24 MHz



- IEC/SAE Level Maximums: N≤12 dBμV, M≤18 dBμV, L≤24 dBμV, K≤30 dBμV, I ≤ 36 dBμV, H ≤ 42 dBμV, G≤48 dBμV.

## 2.2.7 Designing with radiated emissions in mind

To find application notes that provide guidance on designing your system to minimize interference from radiated emissions:

- Go to [www.freescale.com](http://www.freescale.com).
- Perform a keyword search for “EMC design.”

## 2.2.8 Capacitance attributes

Table 13. Capacitance attributes

Symbol	Description	Min.	Max.	Unit
C <sub>IN</sub>	Input capacitance	—	7	pF

## 2.3 Switching specifications

### 2.3.1 Device clock specifications

Table 14. Device clock specifications

Symbol	Description	Min.	Max.	Unit
Normal run mode				
f <sub>SYS</sub>	System and core clock	—	48	MHz
f <sub>BUS</sub>	Bus clock	—	24	MHz
f <sub>FLASH</sub>	Flash clock	—	24	MHz
f <sub>LPTMR</sub>	LPTMR clock	—	24	MHz
VLPR and VLPS modes <sup>1</sup>				
f <sub>SYS</sub>	System and core clock	—	4	MHz
f <sub>BUS</sub>	Bus clock	—	1	MHz
f <sub>FLASH</sub>	Flash clock	—	1	MHz
f <sub>LPTMR</sub>	LPTMR clock <sup>2</sup>	—	24	MHz
f <sub>ERCLK</sub>	External reference clock	—	16	MHz
f <sub>LPTMR_ERCLK</sub>	LPTMR external reference clock	—	16	MHz
f <sub>TPM</sub>	TPM asynchronous clock	—	8	MHz
f <sub>UART0</sub>	UART0 asynchronous clock	—	8	MHz

## General

1. The frequency limitations in VLPR and VLPS modes here override any frequency specification listed in the timing specification for any other module. These same frequency limits apply to VLPS, whether VLPS was entered from RUN or from VLPR.
2. The LPTMR can be clocked at this speed in VLPR or VLPS only when the source is an external pin.

## 2.3.2 General switching specifications

These general-purpose specifications apply to all signals configured for GPIO and UART signals.

**Table 15. General switching specifications**

Description	Min.	Max.	Unit	Notes
GPIO pin interrupt pulse width (digital glitch filter disabled) — Synchronous path	1.5	—	Bus clock cycles	1
External RESET and NMI pin interrupt pulse width — Asynchronous path	100	—	ns	2
GPIO pin interrupt pulse width — Asynchronous path	16	—	ns	2
Port rise and fall time	—	36	ns	3

1. The greater synchronous and asynchronous timing must be met.
2. This is the shortest pulse that is guaranteed to be recognized.
3. 75 pF load

## 2.4 Thermal specifications

### 2.4.1 Thermal operating requirements

**Table 16. Thermal operating requirements of WLCSP package**

Symbol	Description	Min.	Max.	Unit
T <sub>J</sub>	Die junction temperature	-40	95	°C
T <sub>A</sub>	Ambient temperature	-40	85	°C

**Table 17. Thermal operating requirements of other packages**

Symbol	Description	Min.	Max.	Unit
T <sub>J</sub>	Die junction temperature	-40	125	°C
T <sub>A</sub>	Ambient temperature	-40	105	°C

## 2.4.2 Thermal attributes

**Table 18. Thermal attributes**

Board type	Symbol	Description	16 QFN	20 WLCSP	24 QFN	Unit	Notes
Single-layer (1S)	$R_{\theta JA}$	Thermal resistance, junction to ambient (natural convection)	64.2	69.8	60.7	°C/W	1,2
Four-layer (2s2p)	$R_{\theta JA}$	Thermal resistance, junction to ambient (natural convection)	53.3	57.5	48.5	°C/W	1,2,3
Single-layer (1S)	$R_{\theta JMA}$	Thermal resistance, junction to ambient (200 ft./min. air speed)	55.4	62.03	51.0	°C/W	1,3
Four-layer (2s2p)	$R_{\theta JMA}$	Thermal resistance, junction to ambient (200 ft./min. air speed)	48.9	54.3	43.6	°C/W	1,3
—	$R_{\theta JB}$	Thermal resistance, junction to board	33.5	51.64	30.4	°C/W	4
—	$R_{\theta JC}$	Thermal resistance, junction to case	20.9	0.73	9.8	°C/W	5
—	$\Psi_{JT}$	Thermal characterization parameter, junction to package top outside center (natural convection)	0.2	0.2	0.2	°C/W	6
—	$\Psi_{JB}$	Thermal characterization parameter, junction to package bottom outside center (natural convection)	22.4	—	21.8	°C/W	7

1. Junction temperature is a function of die size, on-chip power dissipation, package thermal resistance, mounting site (board) temperature, ambient temperature, air flow, power dissipation of other components on the board, and board thermal resistance.
2. Per SEMI G38-87 and JEDEC JESD51-2 with the single layer board horizontal.
3. Per JEDEC JESD51-6 with the board horizontal.
4. Thermal resistance between the die and the printed circuit board per JEDEC JESD51-8. Board temperature is measured on the top surface of the board near the package.
5. Thermal resistance between the die and the case top surface as measured by the cold plate method (MIL SPEC-883 Method 1012.1).
6. Thermal characterization parameter indicating the temperature difference between package top and the junction temperature per JEDEC JESD51-2. When Greek letters are not available, the thermal characterization parameter is written as Psi-JT.
7. Thermal characterization parameter indicating the temperature difference between package bottom center and the junction temperature per JEDEC JESD51-12. When Greek letters are not available, the thermal characterization parameter is written as Psi-JB.

## 3 Peripheral operating requirements and behaviors

### 3.1 Core modules

### 3.1.1 SWD electricals

Table 19. SWD full voltage range electricals

Symbol	Description	Min.	Max.	Unit
	Operating voltage	1.71	3.6	V
J1	SWD_CLK frequency of operation • Serial wire debug	0	25	MHz
J2	SWD_CLK cycle period	1/J1	—	ns
J3	SWD_CLK clock pulse width • Serial wire debug	20	—	ns
J4	SWD_CLK rise and fall times	—	3	ns
J9	SWD_DIO input data setup time to SWD_CLK rise	10	—	ns
J10	SWD_DIO input data hold time after SWD_CLK rise	0	—	ns
J11	SWD_CLK high to SWD_DIO data valid	—	32	ns
J12	SWD_CLK high to SWD_DIO high-Z	5	—	ns

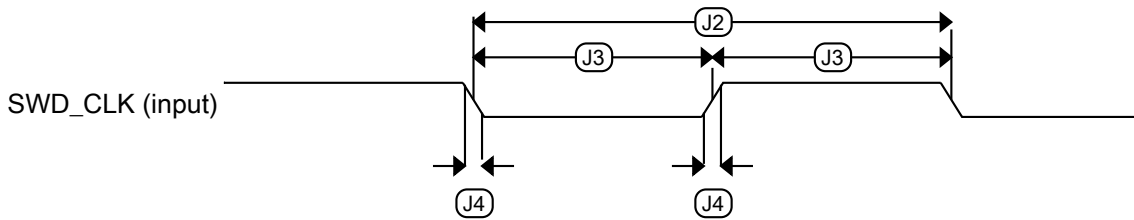


Figure 6. Serial wire clock input timing

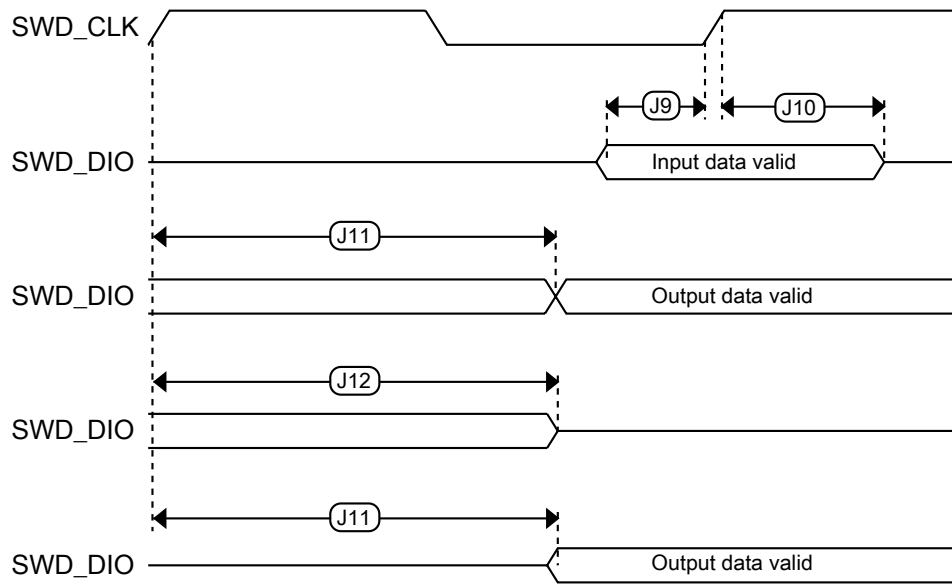


Figure 7. Serial wire data timing

## 3.2 System modules

There are no specifications necessary for the device's system modules.

## 3.3 Clock modules

### 3.3.1 MCG-Lite specifications

Table 20. HIRC48M specification

Symbol	Description	Min.	Typ.	Max.	Unit	Notes
$V_{DD}$	Supply voltage	1.71	—	3.6	V	—
$I_{DD48M}$	Supply current	—	400	500	$\mu A$	—
$f_{irc48m}$	Internal reference frequency	—	48	—	MHz	—
$\Delta f_{irc48m\_ol\_lv}$	total deviation of IRC48M frequency at low voltage (VDD=1.71V-1.89V) over temperature	—	$\pm 0.5$	$\pm 1.5$	$\%f_{irc48m}$	—

Table continues on the next page...

**Table 20. HIRC48M specification (continued)**

Symbol	Description	Min.	Typ.	Max.	Unit	Notes
$\Delta f_{irc48m\_ol\_hv}$	total deviation of IRC48M frequency at high voltage (VDD=1.89V-3.6V) over temperature	—	± 0.5	±1.0	% $f_{irc48m}$	—
$J_{cyc\_irc48m}$	Period Jitter (RMS)	—	35	150	ps	—
$t_{irc48mst}$	Startup time	—	2	3	µs	1

1. IRC48M startup time is defined as the time between clock enablement and clock availability for system use. Enable the clock by setting MCG\_MC[HIRCEN] = 1. See reference manual for details.

**Table 21. LIRC8M/2M specification**

Symbol	Description	Min.	Typ.	Max.	Unit	Notes
$V_{DD}$	Supply voltage	1.08	—	1.47	V	—
T	Temperature range	-40	—	125	°C	—
$I_{DD\_2M}$	Supply current in 2 MHz mode	—	14	17	µA	—
$I_{DD\_8M}$	Supply current in 8 MHz mode	—	30	35	µA	—
$f_{IRC\_2M}$	Output frequency	—	2	—	MHz	—
$f_{IRC\_8M}$	Output frequency	—	8	—	MHz	—
$f_{IRC\_T\_2M}$	Output frequency range (trimmed)	—	—	±3	% $f_{IRC}$	$V_{DD} \geq 1.89$ V
$f_{IRC\_T\_8M}$	Output frequency range (trimmed)	—	—	±3	% $f_{IRC}$	$V_{DD} \geq 1.89$ V
$T_{su\_2M}$	Startup time	—	—	12.5	µs	—
$T_{su\_8M}$	Startup time	—	—	12.5	µs	—

### 3.3.2 Oscillator electrical specifications

#### 3.3.2.1 Oscillator DC electrical specifications

**Table 22. Oscillator DC electrical specifications**

Symbol	Description	Min.	Typ.	Max.	Unit	Notes
$V_{DD}$	Supply voltage	1.71	—	3.6	V	—
$I_{DDOSC}$	Supply current — low-power mode • 32 kHz	—	500	—	nA	1
$C_x$	EXTAL load capacitance	—	—	—		2, 3
$C_y$	XTAL load capacitance	—	—	—		2, 3
$R_F$	Feedback resistor — low-frequency, low-power mode	—	—	—	MΩ	2, 4
$R_S$	Series resistor — low-frequency, low-power mode	—	—	—	kΩ	—

Table continues on the next page...

**Table 22. Oscillator DC electrical specifications (continued)**

Symbol	Description	Min.	Typ.	Max.	Unit	Notes
$V_{pp}^5$	Peak-to-peak amplitude of oscillation (oscillator mode) — low-frequency, low-power mode	—	0.6	—	V	—

1.  $V_{DD}=3.3$  V, Temperature =25 °C
2. See crystal or resonator manufacturer's recommendation
3.  $C_x, C_y$  can be provided by using either the integrated capacitors or by using external components.
4. When low power mode is selected,  $R_F$  is integrated and must not be attached externally.
5. The EXTAL and XTAL pins should only be connected to required oscillator components and must not be connected to any other devices.

### 3.3.2.2 Oscillator frequency specifications

**Table 23. Oscillator frequency specifications**

Symbol	Description	Min.	Typ.	Max.	Unit	Notes
$f_{osc\_lo}$	Oscillator crystal or resonator frequency — low frequency mode	32	—	40	kHz	—
$t_{dc\_extal}$	Input clock duty cycle (external clock mode)	40	50	60	%	—
$t_{cst}$	Crystal startup time — 32 kHz low-frequency, low-power mode	—	750	—	ms	1, 2

1. Proper PC board layout procedures must be followed to achieve specifications.
2. Crystal startup time is defined as the time between the oscillator being enabled and the OSCINIT bit in the MCG\_S register being set.

## 3.4 Memories and memory interfaces

### 3.4.1 Flash electrical specifications

This section describes the electrical characteristics of the flash memory module.

#### 3.4.1.1 Flash timing specifications — program and erase

The following specifications represent the amount of time the internal charge pumps are active and do not include command overhead.

**Table 24. NVM program/erase timing specifications**

Symbol	Description	Min.	Typ.	Max.	Unit	Notes
$t_{hvpgm4}$	Longword Program high-voltage time	—	7.5	18	$\mu$ s	—
$t_{hversscr}$	Sector Erase high-voltage time	—	13	113	ms	1
$t_{hversall}$	Erase All high-voltage time	—	52	452	ms	1

## Peripheral operating requirements and behaviors

1. Maximum time based on expectations at cycling end-of-life.

### 3.4.1.2 Flash timing specifications — commands

**Table 25. Flash command timing specifications**

Symbol	Description	Min.	Typ.	Max.	Unit	Notes
$t_{rd1sec1k}$	Read 1s Section execution time (flash sector)	—	—	60	$\mu$ s	1
$t_{pgmchk}$	Program Check execution time	—	—	45	$\mu$ s	1
$t_{rdsrc}$	Read Resource execution time	—	—	30	$\mu$ s	1
$t_{pgm4}$	Program Longword execution time	—	65	145	$\mu$ s	—
$t_{ersscr}$	Erase Flash Sector execution time	—	14	114	ms	2
$t_{rd1all}$	Read 1s All Blocks execution time	—	—	0.5	ms	—
$t_{rdonce}$	Read Once execution time	—	—	25	$\mu$ s	1
$t_{pgmonce}$	Program Once execution time	—	65	—	$\mu$ s	—
$t_{ersall}$	Erase All Blocks execution time	—	61	500	ms	2
$t_{vfykey}$	Verify Backdoor Access Key execution time	—	—	30	$\mu$ s	1

1. Assumes 25 MHz flash clock frequency.
2. Maximum times for erase parameters based on expectations at cycling end-of-life.

### 3.4.1.3 Flash high voltage current behaviors

**Table 26. Flash high voltage current behaviors**

Symbol	Description	Min.	Typ.	Max.	Unit
$I_{DD\_PGM}$	Average current adder during high voltage flash programming operation	—	2.5	6.0	mA
$I_{DD\_ERS}$	Average current adder during high voltage flash erase operation	—	1.5	4.0	mA

### 3.4.1.4 Reliability specifications

**Table 27. NVM reliability specifications**

Symbol	Description	Min.	Typ. <sup>1</sup>	Max.	Unit	Notes
Program Flash						
$t_{nvmretp10k}$	Data retention after up to 10 K cycles	5	50	—	years	—
$t_{nvmretp1k}$	Data retention after up to 1 K cycles	20	100	—	years	—
$n_{nvmcycp}$	Cycling endurance	10 K	50 K	—	cycles	2

1. Typical data retention values are based on measured response accelerated at high temperature and derated to a constant 25 °C use profile. Engineering Bulletin EB618 does not apply to this technology. Typical endurance defined in Engineering Bulletin EB619.
2. Cycling endurance represents number of program/erase cycles at  $-40\text{ °C} \leq T_j \leq 125\text{ °C}$ .



## 3.5 Security and integrity modules

There are no specifications necessary for the device's security and integrity modules.

## 3.6 Analog

### 3.6.1 ADC electrical specifications

All ADC channels meet the 12-bit single-ended accuracy specifications.

#### 3.6.1.1 12-bit ADC operating conditions

Table 28. 12-bit ADC operating conditions

Symbol	Description	Conditions	Min.	Typ. <sup>1</sup>	Max.	Unit	Notes
$V_{DDA}$	Supply voltage	Absolute	1.71	—	3.6	V	—
$\Delta V_{DDA}$	Supply voltage	Delta to $V_{DD}$ ( $V_{DD} - V_{DDA}$ )	-100	0	+100	mV	2
$\Delta V_{SSA}$	Ground voltage	Delta to $V_{SS}$ ( $V_{SS} - V_{SSA}$ )	-100	0	+100	mV	2
$V_{REFH}$	ADC reference voltage high		1.13	$V_{DDA}$	$V_{DDA}$	V	3
$V_{REFL}$	ADC reference voltage low		$V_{SSA}$	$V_{SSA}$	$V_{SSA}$	V	3
$V_{ADIN}$	Input voltage		$V_{REFL}$	—	$V_{REFH}$	V	—
$C_{ADIN}$	Input capacitance	<ul style="list-style-type: none"> <li>8-bit / 10-bit / 12-bit modes</li> </ul>	—	4	5	pF	—
$R_{ADIN}$	Input series resistance		—	2	5	k $\Omega$	—
$R_{AS}$	Analog source resistance (external)	12-bit modes $f_{ADCK} < 4$ MHz	—	—	5	k $\Omega$	4
$f_{ADCK}$	ADC conversion clock frequency	$\leq$ 12-bit mode	1.0	—	18.0	MHz	5
$C_{rate}$	ADC conversion rate	$\leq$ 12-bit modes No ADC hardware averaging Continuous conversions enabled, subsequent conversion time	20.000	—	818.330	Ksps	6

1. Typical values assume  $V_{DDA} = 3.0$  V, Temp = 25 °C,  $f_{ADCK} = 1.0$  MHz, unless otherwise stated. Typical values are for reference only, and are not tested in production.
2. DC potential difference.

## Peripheral operating requirements and behaviors

- For packages without dedicated VREFH and VREFL pins, VREFH is internally tied to VDDA, and VREFL is internally tied to VSSA.
- This resistance is external to MCU. To achieve the best results, the analog source resistance must be kept as low as possible. The results in this data sheet were derived from a system that had < 8 Ω analog source resistance. The RAS/CAS time constant should be kept to < 1 ns.
- To use the maximum ADC conversion clock frequency, CFG2[ADHSC] must be set and CFG1[ADLPC] must be clear.
- For guidelines and examples of conversion rate calculation, download the [ADC calculator tool](#).

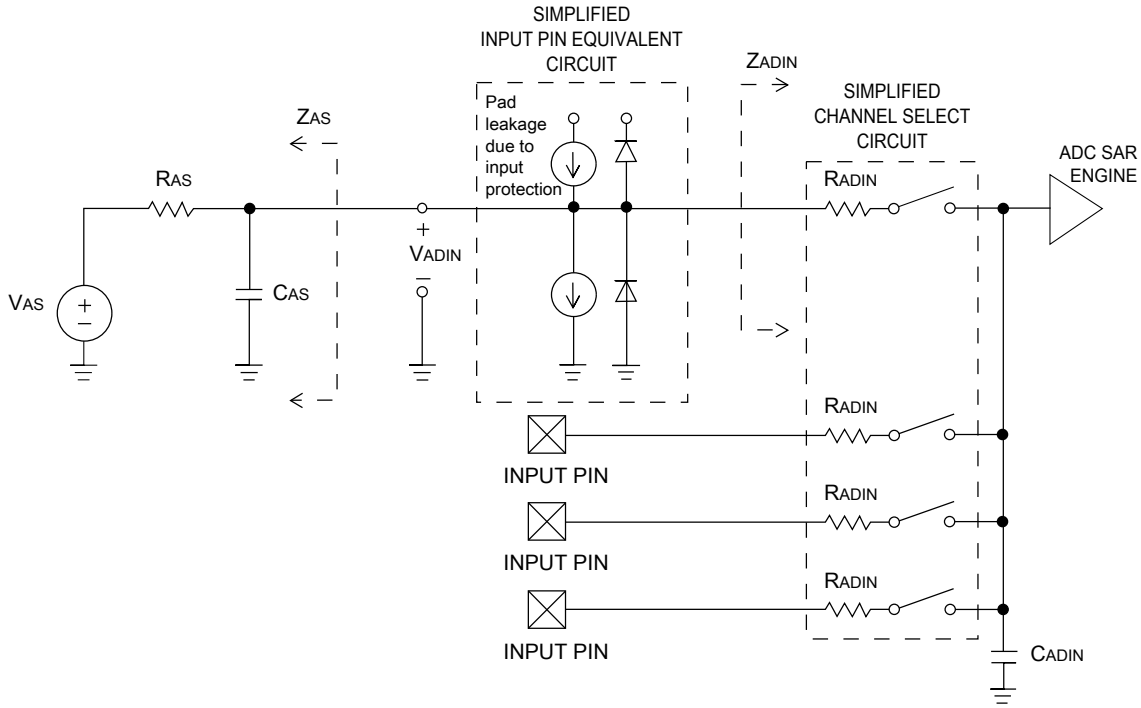


Figure 8. ADC input impedance equivalency diagram

### 3.6.1.2 12-bit ADC electrical characteristics

Table 29. 12-bit ADC characteristics (VREFH = VDDA, VREFL = VSSA)

Symbol	Description	Conditions <sup>1</sup> .	Min.	Typ. <sup>2</sup>	Max.	Unit	Notes	
I <sub>DDA_ADC</sub>	Supply current		0.215	—	1.7	mA	3	
f <sub>ADACK</sub>	ADC asynchronous clock source	<ul style="list-style-type: none"> <li>• ADLPC = 1, ADHSC = 0</li> <li>• ADLPC = 1, ADHSC = 1</li> <li>• ADLPC = 0, ADHSC = 0</li> <li>• ADLPC = 0, ADHSC = 1</li> </ul>	1.2	2.4	3.9	MHz	t <sub>ADACK</sub> = 1/f <sub>ADACK</sub>	
			2.4	4.0	6.1	MHz		
			3.0	5.2	7.3	MHz		
			4.4	6.2	9.5	MHz		
	Sample Time	See Reference Manual chapter for sample times						
TUE	Total unadjusted error	<ul style="list-style-type: none"> <li>• 12-bit modes</li> <li>• &lt;12-bit modes</li> </ul>	—	±6	—	LSB <sup>4</sup>	5	

Table continues on the next page...

**Table 29. 12-bit ADC characteristics ( $V_{REFH} = V_{DDA}$ ,  $V_{REFL} = V_{SSA}$ ) (continued)**

Symbol	Description	Conditions <sup>1</sup> .	Min.	Typ. <sup>2</sup>	Max.	Unit	Notes
DNL	Differential non-linearity	• 12-bit modes	—	±0.9	-1.1 to +1.9	LSB <sup>4</sup>	5
		• <12-bit modes	—	±0.4	-0.3 to 0.5		
INL	Integral non-linearity	• 12-bit modes	—	±1.5	-2.7 to +1.9	LSB <sup>4</sup>	5
		• <12-bit modes	—	±0.5	-0.7 to +0.5		
E <sub>FS</sub>	Full-scale error	• 12-bit modes	—	5	—	LSB <sup>4</sup>	V <sub>ADIN</sub> = V <sub>DDA</sub> <sup>5</sup>
		• <12-bit modes	—	2	3		
E <sub>Q</sub>	Quantization error	• 12-bit modes	—	—	±0.5	LSB <sup>4</sup>	
E <sub>IL</sub>	Input leakage error		$I_{in} \times R_{AS}$			mV	I <sub>in</sub> = leakage current (refer to the MCU's voltage and current operating ratings)
	Temp sensor slope	Across the full temperature range of the device	1.55	1.62	1.69	mV/°C	6
V <sub>TEMP25</sub>	Temp sensor voltage	25 °C	706	716	726	mV	6

1. All accuracy numbers assume the ADC is calibrated with  $V_{REFH} = V_{DDA}$
2. Typical values assume  $V_{DDA} = 3.0$  V, Temp = 25 °C,  $f_{ADCK} = 2.0$  MHz unless otherwise stated. Typical values are for reference only and are not tested in production.
3. The ADC supply current depends on the ADC conversion clock speed, conversion rate and ADC\_CFG1[ADLPC] (low power). For lowest power operation, ADC\_CFG1[ADLPC] must be set, the ADC\_CFG2[ADHSC] bit must be clear with 1 MHz ADC conversion clock speed.
4. 1 LSB =  $(V_{REFH} - V_{REFL})/2^N$
5. ADC conversion clock < 16 MHz, Max hardware averaging (AVGE = %1, AVGS = %11)
6. ADC conversion clock < 3 MHz

**Table 30. 12-bit ADC characteristics ( $V_{REFH} = V_{REFO}$ ,  $V_{REFL} = V_{SSA}$ )**

Symbol	Description	Conditions <sup>1</sup> .	Min.	Typ. <sup>2</sup>	Max.	Unit	Notes
I <sub>DDA_ADC</sub>	Supply current		0.215	—	1.7	mA	3
f <sub>ADACK</sub>	ADC asynchronous clock source	• ADLPC = 1, ADHSC = 0	1.2	2.4	3.9	MHz	t <sub>ADACK</sub> = 1/f <sub>ADACK</sub>
		• ADLPC = 1, ADHSC = 1	2.4	4.0	6.1	MHz	
		• ADLPC = 0, ADHSC = 0	3.0	5.2	7.3	MHz	
		• ADLPC = 0, ADHSC = 1	4.4	6.2	9.5	MHz	

Table continues on the next page...

**Table 30. 12-bit ADC characteristics ( $V_{REFH} = V_{REFO}$ ,  $V_{REFL} = V_{SSA}$ ) (continued)**

Symbol	Description	Conditions <sup>1</sup>	Min.	Typ. <sup>2</sup>	Max.	Unit	Notes
	Sample Time	See Reference Manual chapter for sample times					
TUE	Total unadjusted error	<ul style="list-style-type: none"> <li>12-bit modes</li> <li>&lt;12-bit modes</li> </ul>	—	±4	±6.8	LSB <sup>4</sup>	5
			—	±1.4	±2.1		
DNL	Differential non-linearity	<ul style="list-style-type: none"> <li>12-bit modes</li> <li>&lt;12-bit modes</li> </ul>	—	±0.7	-1.1 to +1.9	LSB <sup>4</sup>	5
			—	±0.2	-0.3 to 0.5		
INL	Integral non-linearity	<ul style="list-style-type: none"> <li>12-bit modes</li> <li>&lt;12-bit modes</li> </ul>	—	±1.0	-2.7 to +1.9	LSB <sup>4</sup>	5
			—	±0.5	-0.7 to +0.5		
E <sub>FS</sub>	Full-scale error	<ul style="list-style-type: none"> <li>12-bit modes</li> <li>&lt;12-bit modes</li> </ul>	—	-4	-5.4	LSB <sup>4</sup>	$V_{ADIN} = V_{DDA}$ <sup>5</sup>
			—	-1.4	-1.8		
E <sub>Q</sub>	Quantization error	<ul style="list-style-type: none"> <li>12-bit modes</li> </ul>	—	—	±0.5	LSB <sup>4</sup>	
E <sub>IL</sub>	Input leakage error		$I_{in} \times R_{AS}$			mV	$I_{in}$ = leakage current (refer to the MCU's voltage and current operating ratings)
	Temp sensor slope	Across the full temperature range of the device	1.55	1.62	1.69	mV/°C	6
V <sub>TEMP25</sub>	Temp sensor voltage	25 °C	706	716	726	mV	6

1. All accuracy numbers assume the ADC is calibrated with  $V_{REFH} = V_{REFO}$
2. Typical values assume  $V_{REFO} = 3.0$  V, Temp = 25 °C,  $f_{ADCK} = 2.0$  MHz unless otherwise stated. Typical values are for reference only and are not tested in production.
3. The ADC supply current depends on the ADC conversion clock speed, conversion rate and ADC\_CFG1[ADLPC] (low power). For lowest power operation, ADC\_CFG1[ADLPC] must be set, the ADC\_CFG2[ADHSC] bit must be clear with 1 MHz ADC conversion clock speed.
4.  $1 \text{ LSB} = (V_{REFH} - V_{REFL})/2^N$
5. ADC conversion clock < 16 MHz, Max hardware averaging (AVGE = %1, AVGS = %11)
6. ADC conversion clock < 3 MHz

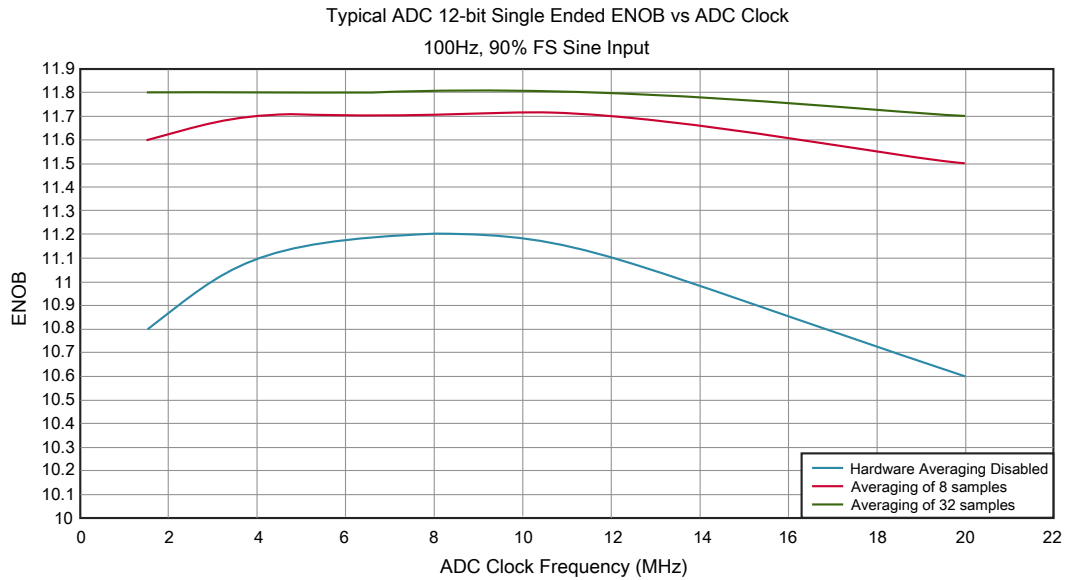


Figure 9. Typical ENOB vs. ADC\_CLK for 12-bit single-ended mode

### 3.6.2 CMP and 6-bit DAC electrical specifications

Table 31. Comparator and 6-bit DAC electrical specifications

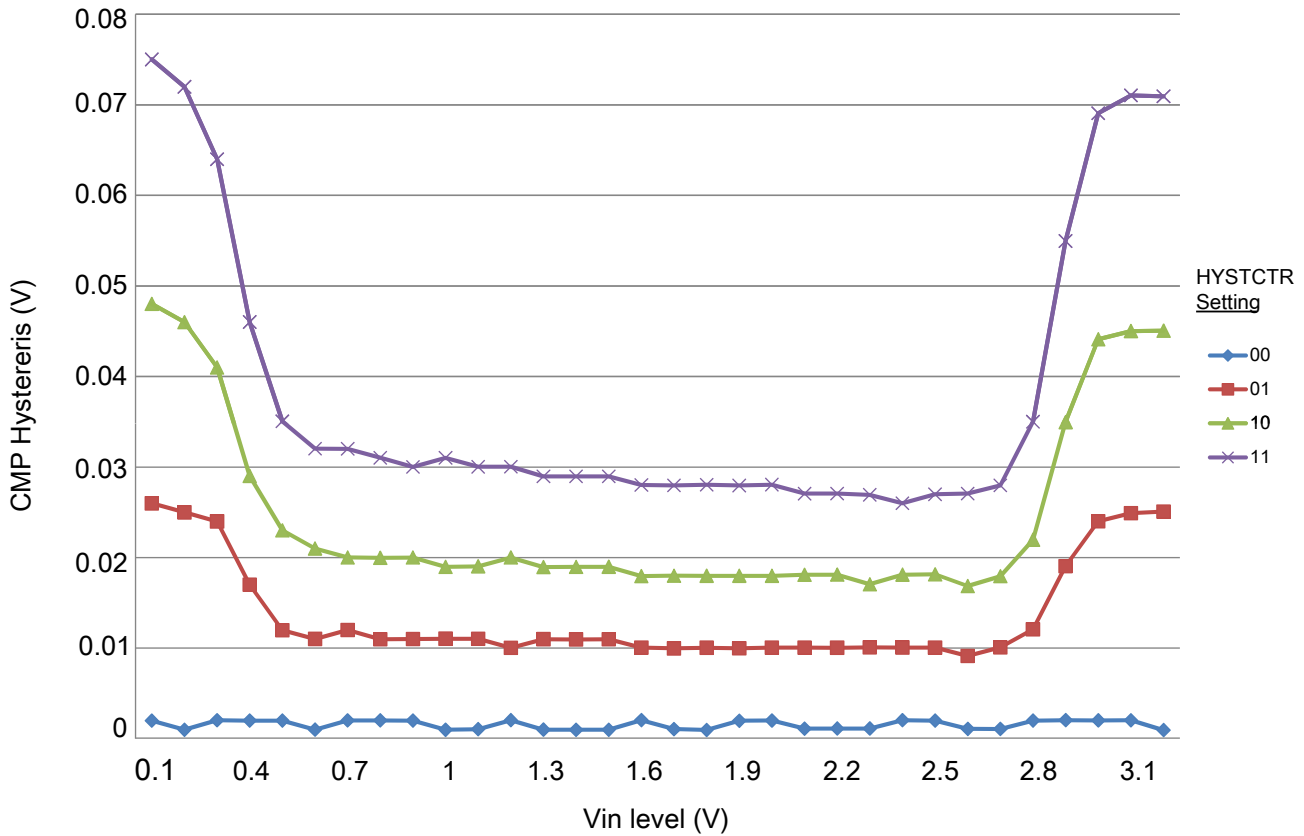
Symbol	Description	Min.	Typ.	Max.	Unit
$V_{DD}$	Supply voltage	1.71	—	3.6	V
$I_{DDHS}$	Supply current, High-speed mode (EN=1, PMODE=1)	—	—	200	$\mu$ A
$I_{DDL S}$	Supply current, low-speed mode (EN=1, PMODE=0)	—	—	20	$\mu$ A
$V_{AIN}$	Analog input voltage	$V_{SS} - 0.3$	—	$V_{DD}$	V
$V_{AIO}$	Analog input offset voltage	—	—	20	mV
$V_H$	Analog comparator hysteresis <sup>1</sup> <ul style="list-style-type: none"> <li>• CR0[HYSTCTR] = 00</li> <li>• CR0[HYSTCTR] = 01</li> <li>• CR0[HYSTCTR] = 10</li> <li>• CR0[HYSTCTR] = 11</li> </ul>	—	5 10 20 30	—	mV
$V_{CMPOh}$	Output high	$V_{DD} - 0.5$	—	—	V
$V_{CMPOl}$	Output low	—	—	0.5	V
$t_{DHS}$	Propagation delay, high-speed mode (EN=1, PMODE=1)	20	50	200	ns
$t_{DLS}$	Propagation delay, low-speed mode (EN=1, PMODE=0)	80	250	600	ns
	Analog comparator initialization delay <sup>2</sup>	—	—	40	$\mu$ s

Table continues on the next page...

**Table 31. Comparator and 6-bit DAC electrical specifications (continued)**

Symbol	Description	Min.	Typ.	Max.	Unit
I <sub>DAC6b</sub>	6-bit DAC current adder (enabled)	—	7	—	μA
INL	6-bit DAC integral non-linearity	-0.5	—	0.5	LSB <sup>3</sup>
DNL	6-bit DAC differential non-linearity	-0.3	—	0.3	LSB

1. Typical hysteresis is measured with input voltage range limited to 0.6 to V<sub>DD</sub>-0.6 V.
2. Comparator initialization delay is defined as the time between software writes to change control inputs (Writes to CMP\_DACCR[DACEN], CMP\_DACCR[VRSEL], CMP\_DACCR[VOSEL], CMP\_MUXCR[PSEL], and CMP\_MUXCR[MSEL]) and the comparator output settling to a stable level.
3. 1 LSB = V<sub>reference</sub>/64



**Figure 10. Typical hysteresis vs. Vin level (VDD = 3.3 V, PMODE = 0)**

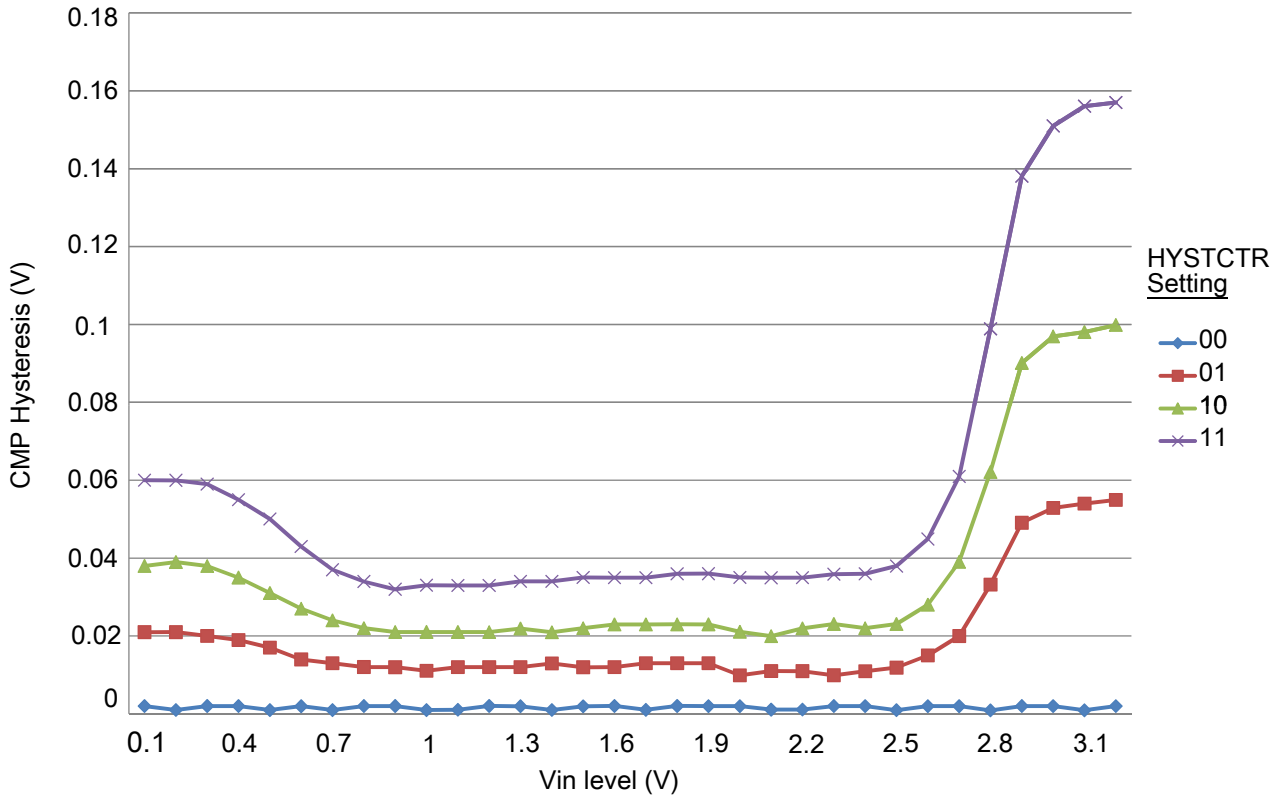


Figure 11. Typical hysteresis vs. Vin level (VDD = 3.3 V, PMODE = 1)

### 3.6.3 Voltage reference electrical specifications

Table 32. VREF full-range operating requirements

Symbol	Description	Min.	Max.	Unit	Notes
V <sub>DDA</sub>	Supply voltage	1.71	3.6	V	—
T <sub>A</sub>	Temperature	Operating temperature range of the device		°C	—
C <sub>L</sub>	Output load capacitance	100		nF	1, 2

1. C<sub>L</sub> must be connected to VREF\_OUT if the VREF\_OUT functionality is being used for either an internal or external reference.
2. The load capacitance should not exceed +/-25% of the nominal specified C<sub>L</sub> value over the operating temperature range of the device.

Table 33 is tested under the condition of setting VREF\_TRM[CHOPEN], VREF\_SC[REGEN] and VREF\_SC[ICOMPEN] bits to 1.

**Table 33. VREF full-range operating behaviors**

Symbol	Description	Min.	Typ.	Max.	Unit	Notes
V <sub>out</sub>	Voltage reference output with factory trim at nominal V <sub>DDA</sub> and temperature=25C	1.1915	1.195	1.1977	V	1
V <sub>out</sub>	Voltage reference output — factory trim	1.1584	—	1.2376	V	1
V <sub>out</sub>	Voltage reference output — user trim	1.193	—	1.197	V	1
V <sub>step</sub>	Voltage reference trim step	—	0.5	—	mV	1
V <sub>tdrift</sub>	Temperature drift (V <sub>max</sub> -V <sub>min</sub> across the full temperature range: 0 to 70°C)	—	—	50	mV	1
Ac	Aging coefficient	—	—	400	uV/yr	—
I <sub>bg</sub>	Bandgap only current	—	—	80	μA	1
I <sub>lp</sub>	Low-power buffer current	—	—	360	uA	1
I <sub>hp</sub>	High-power buffer current	—	—	1	mA	1
ΔV <sub>LOAD</sub>	Load regulation • current = ± 1.0 mA	—	200	—	μV	1, 2
T <sub>stup</sub>	Buffer startup time	—	—	100	μs	—
V <sub>vdift</sub>	Voltage drift (V <sub>max</sub> -V <sub>min</sub> across the full voltage range)	—	2	—	mV	1

1. See the chip's Reference Manual for the appropriate settings of the VREF Status and Control register.
2. Load regulation voltage is the difference between the VREF\_OUT voltage with no load vs. voltage with defined load

**Table 34. VREF limited-range operating requirements**

Symbol	Description	Min.	Max.	Unit	Notes
T <sub>A</sub>	Temperature	0	50	°C	—

**Table 35. VREF limited-range operating behaviors**

Symbol	Description	Min.	Max.	Unit	Notes
V <sub>out</sub>	Voltage reference output with factory trim	1.173	1.225	V	—

### 3.7 Timers

See [General switching specifications](#).

### 3.8 Communication interfaces



### 3.8.1 SPI switching specifications

The Serial Peripheral Interface (SPI) provides a synchronous serial bus with master and slave operations. Many of the transfer attributes are programmable. The following tables provide timing characteristics for classic SPI timing modes. See the SPI chapter of the chip's Reference Manual for information about the modified transfer formats used for communicating with slower peripheral devices.

All timing is shown with respect to 20%  $V_{DD}$  and 80%  $V_{DD}$  thresholds, unless noted, as well as input signal transitions of 3 ns and a 30 pF maximum load on all SPI pins.

**Table 36. SPI master mode timing on slew rate disabled pads**

Num.	Symbol	Description	Min.	Max.	Unit	Note
1	$f_{op}$	Frequency of operation	$f_{periph}/2048$	$f_{periph}/2$	Hz	1
2	$t_{SPSCK}$	SPSCK period	$2 \times t_{periph}$	$2048 \times t_{periph}$	ns	2
3	$t_{Lead}$	Enable lead time	1/2	—	$t_{SPSCK}$	—
4	$t_{Lag}$	Enable lag time	1/2	—	$t_{SPSCK}$	—
5	$t_{WSPSCK}$	Clock (SPSCK) high or low time	$t_{periph} - 30$	$1024 \times t_{periph}$	ns	—
6	$t_{SU}$	Data setup time (inputs)	22	—	ns	—
7	$t_{HI}$	Data hold time (inputs)	0	—	ns	—
8	$t_v$	Data valid (after SPSCK edge)	—	10	ns	—
9	$t_{HO}$	Data hold time (outputs)	0	—	ns	—
10	$t_{RI}$	Rise time input	—	$t_{periph} - 25$	ns	—
	$t_{FI}$	Fall time input				
11	$t_{RO}$	Rise time output	—	25	ns	—
	$t_{FO}$	Fall time output				

1. For SPI0,  $f_{periph}$  is the bus clock ( $f_{BUS}$ ).

2.  $t_{periph} = 1/f_{periph}$

**Table 37. SPI master mode timing on slew rate enabled pads**

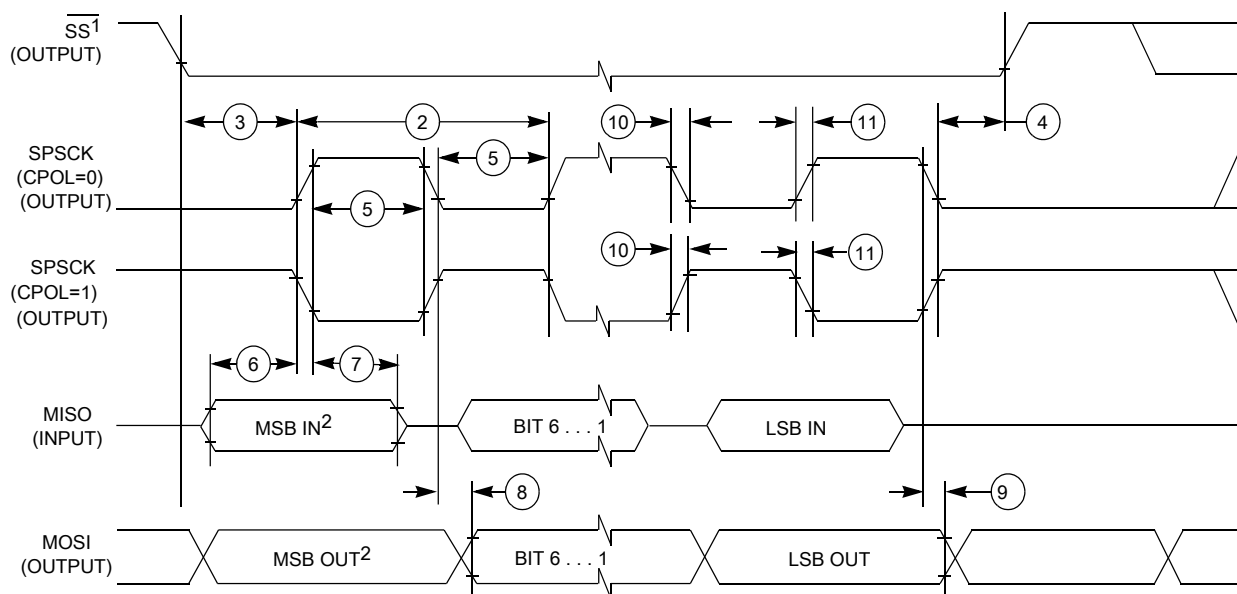
Num.	Symbol	Description	Min.	Max.	Unit	Note
1	$f_{op}$	Frequency of operation	$f_{periph}/2048$	$f_{periph}/2$	Hz	1
2	$t_{SPSCK}$	SPSCK period	$2 \times t_{periph}$	$2048 \times t_{periph}$	ns	2
3	$t_{Lead}$	Enable lead time	1/2	—	$t_{SPSCK}$	—
4	$t_{Lag}$	Enable lag time	1/2	—	$t_{SPSCK}$	—

*Table continues on the next page...*

**Table 37. SPI master mode timing on slew rate enabled pads (continued)**

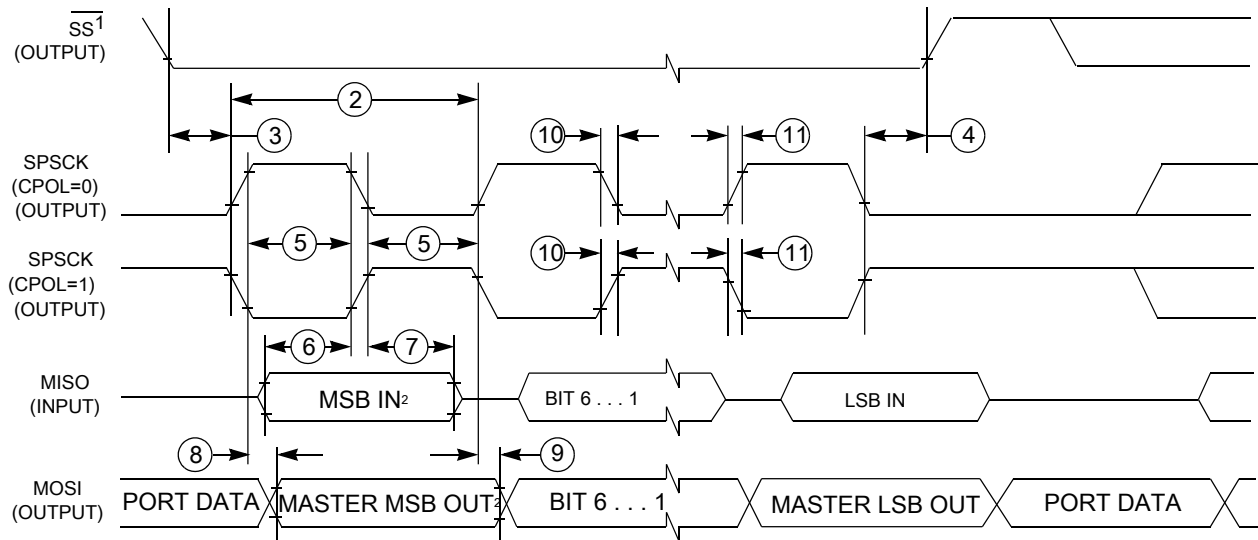
Num.	Symbol	Description	Min.	Max.	Unit	Note
5	$t_{WSPSCK}$	Clock (SPSCK) high or low time	$t_{periph} - 30$	$1024 \times t_{periph}$	ns	—
6	$t_{SU}$	Data setup time (inputs)	96	—	ns	—
7	$t_{HI}$	Data hold time (inputs)	0	—	ns	—
8	$t_v$	Data valid (after SPSCK edge)	—	52	ns	—
9	$t_{HO}$	Data hold time (outputs)	0	—	ns	—
10	$t_{RI}$	Rise time input	—	$t_{periph} - 25$	ns	—
	$t_{FI}$	Fall time input				
11	$t_{RO}$	Rise time output	—	36	ns	—
	$t_{FO}$	Fall time output				

1. For SPI0,  $f_{periph}$  is the bus clock ( $f_{BUS}$ ).
2.  $t_{periph} = 1/f_{periph}$



1. If configured as an output.
2. LSBF = 0. For LSBF = 1, bit order is LSB, bit 1, ..., bit 6, MSB.

**Figure 12. SPI master mode timing (CPHA = 0)**



1. If configured as output
2. LSBF = 0. For LSBF = 1, bit order is LSB, bit 1, ..., bit 6, MSB.

**Figure 13. SPI master mode timing (CPHA = 1)**
**Table 38. SPI slave mode timing on slew rate disabled pads**

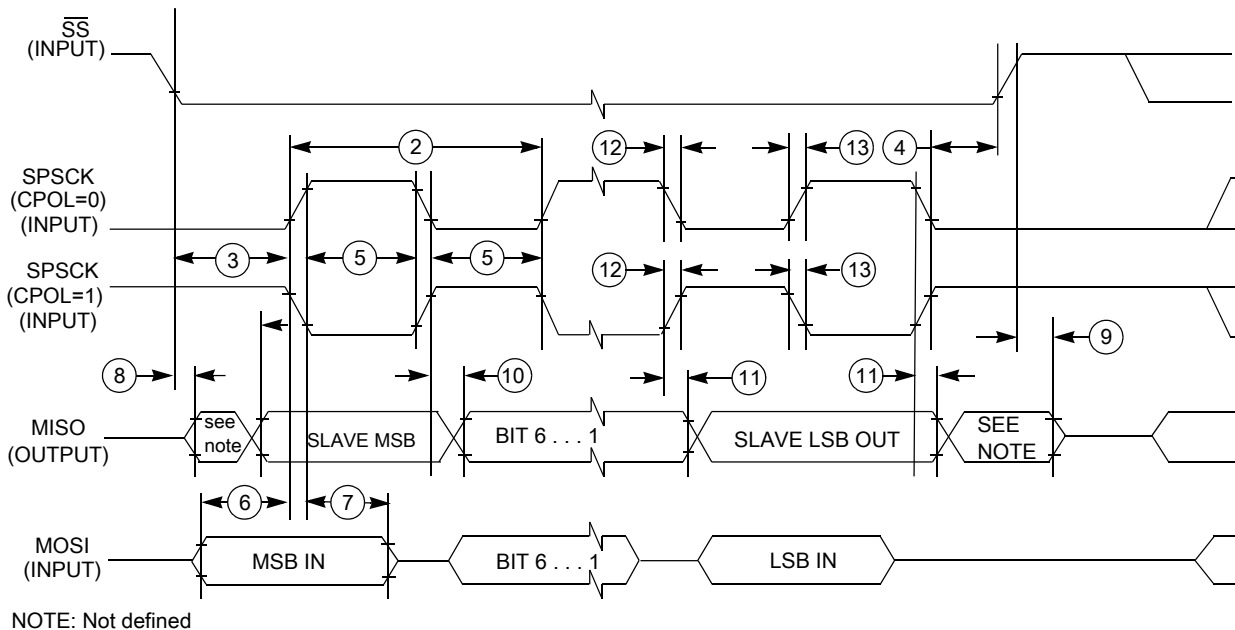
Num.	Symbol	Description	Min.	Max.	Unit	Note
1	$f_{op}$	Frequency of operation	0	$f_{periph}/4$	Hz	1
2	$t_{SPSCCK}$	SPSCCK period	$4 \times t_{periph}$	—	ns	2
3	$t_{Lead}$	Enable lead time	1	—	$t_{periph}$	—
4	$t_{Lag}$	Enable lag time	1	—	$t_{periph}$	—
5	$t_{WSPSCCK}$	Clock (SPSCCK) high or low time	$t_{periph} - 30$	—	ns	—
6	$t_{SU}$	Data setup time (inputs)	3	—	ns	—
7	$t_{HI}$	Data hold time (inputs)	7	—	ns	—
8	$t_a$	Slave access time	23	$t_{periph}$	ns	3
9	$t_{dis}$	Slave MISO disable time	23	$t_{periph}$	ns	4
10	$t_v$	Data valid (after SPSCCK edge)	—	25.7	ns	—
11	$t_{HO}$	Data hold time (outputs)	0	—	ns	—
12	$t_{RI}$	Rise time input	—	$t_{periph} - 25$	ns	—
	$t_{FI}$	Fall time input				
13	$t_{RO}$	Rise time output	—	25	ns	—
	$t_{FO}$	Fall time output				

1. For SPI0,  $f_{periph}$  is the bus clock ( $f_{BUS}$ ).
2.  $t_{periph} = 1/f_{periph}$
3. Time to data active from high-impedance state
4. Hold time to high-impedance state

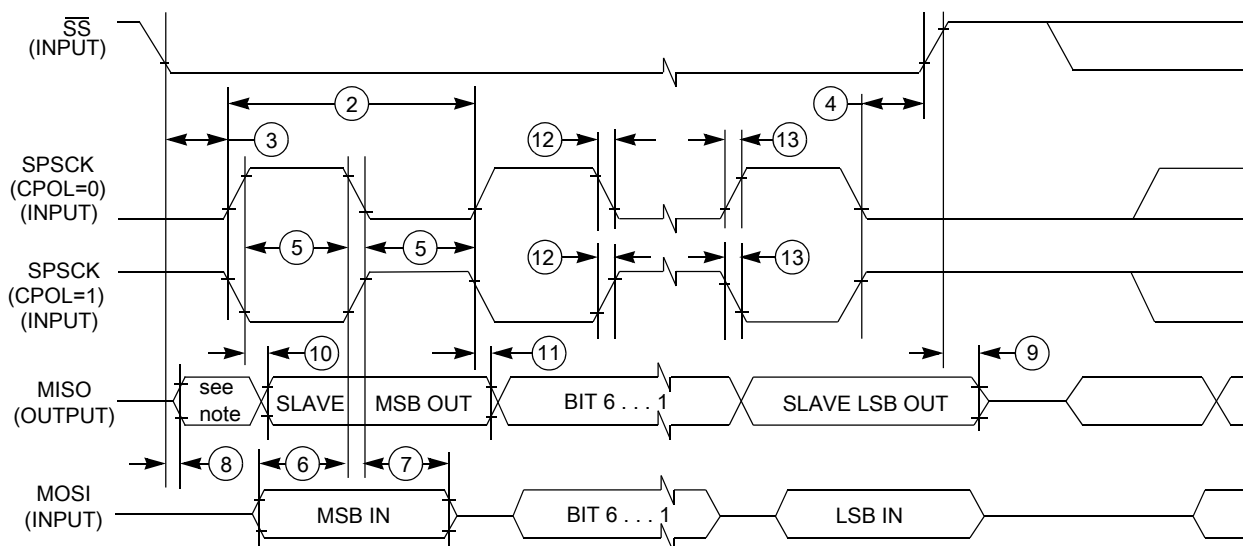
**Table 39. SPI slave mode timing on slew rate enabled pads**

Num.	Symbol	Description	Min.	Max.	Unit	Note
1	$f_{op}$	Frequency of operation	0	$f_{periph}/4$	Hz	1
2	$t_{SPSCK}$	SPSCK period	$4 \times t_{periph}$	—	ns	2
3	$t_{Lead}$	Enable lead time	1	—	$t_{periph}$	—
4	$t_{Lag}$	Enable lag time	1	—	$t_{periph}$	—
5	$t_{WSPSCK}$	Clock (SPSCK) high or low time	$t_{periph} - 30$	—	ns	—
6	$t_{SU}$	Data setup time (inputs)	2	—	ns	—
7	$t_{HI}$	Data hold time (inputs)	7	—	ns	—
8	$t_a$	Slave access time	—	$t_{periph}$	ns	3
9	$t_{dis}$	Slave MISO disable time	—	$t_{periph}$	ns	4
10	$t_v$	Data valid (after SPSCK edge)	—	122	ns	—
11	$t_{HO}$	Data hold time (outputs)	0	—	ns	—
12	$t_{RI}$	Rise time input	—	$t_{periph} - 25$	ns	—
	$t_{FI}$	Fall time input				
13	$t_{RO}$	Rise time output	—	36	ns	—
	$t_{FO}$	Fall time output				

1. For SPI0,  $f_{periph}$  is the bus clock ( $f_{BUS}$ ).
2.  $t_{periph} = 1/f_{periph}$
3. Time to data active from high-impedance state
4. Hold time to high-impedance state



**Figure 14. SPI slave mode timing (CPHA = 0)**



NOTE: Not defined

Figure 15. SPI slave mode timing (CPHA = 1)

### 3.8.2 Inter-Integrated Circuit Interface (I2C) timing

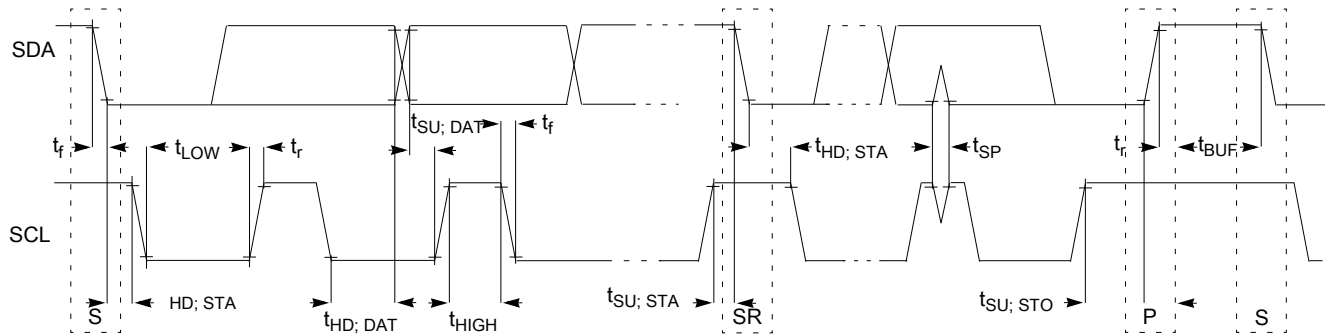
Table 40. I2C timing

Characteristic	Symbol	Standard Mode		Fast Mode <sup>1</sup>		Unit
		Minimum	Maximum	Minimum	Maximum	
SCL Clock Frequency	$f_{SCL}$	0	100	0	400 <sup>2</sup>	kHz
Hold time (repeated) START condition. After this period, the first clock pulse is generated.	$t_{HD}; STA$	4	—	0.6	—	$\mu s$
LOW period of the SCL clock	$t_{LOW}$	4.7	—	1.3	—	$\mu s$
HIGH period of the SCL clock	$t_{HIGH}$	4	—	0.6	—	$\mu s$
Set-up time for a repeated START condition	$t_{SU}; STA$	4.7	—	0.6	—	$\mu s$
Data hold time for I <sup>2</sup> C bus devices	$t_{HD}; DAT$	0 <sup>3</sup>	3.45 <sup>4</sup>	0 <sup>5</sup>	0.9 <sup>3</sup>	$\mu s$
Data set-up time	$t_{SU}; DAT$	250 <sup>6</sup>	—	100 <sup>4, 7</sup>	—	ns
Rise time of SDA and SCL signals	$t_r$	—	1000	$20 + 0.1C_b$ <sup>8</sup>	300	ns
Fall time of SDA and SCL signals	$t_f$	—	300	$20 + 0.1C_b$ <sup>7</sup>	300	ns
Set-up time for STOP condition	$t_{SU}; STO$	4	—	0.6	—	$\mu s$
Bus free time between STOP and START condition	$t_{BUF}$	4.7	—	1.3	—	$\mu s$
Pulse width of spikes that must be suppressed by the input filter	$t_{SP}$	N/A	N/A	0	50	ns

1. Fast mode is fully supported on all pins at VDD > 2.7 V. If VDD < 2.7 V, only pins that support high drive strength can support fast mode with maximum bus loading.

## Dimensions

2. The maximum SCL Clock Frequency in Fast mode with maximum bus loading can only be achieved when using the High drive pins (see [Voltage and current operating behaviors](#)) or when using the Normal drive pins and  $V_{DD} \geq 2.7\text{ V}$
3. The master mode I<sup>2</sup>C deasserts ACK of an address byte simultaneously with the falling edge of SCL. If no slaves acknowledge this address byte, then a negative hold time can result, depending on the edge rates of the SDA and SCL lines.
4. The maximum t<sub>HD; DAT</sub>; DAT must be met only if the device does not stretch the LOW period (t<sub>LOW</sub>) of the SCL signal.
5. Input signal Slew = 10 ns and Output Load = 50 pF
6. Set-up time in slave-transmitter mode is 1 IPBus clock period, if the TX FIFO is empty.
7. A Fast mode I<sup>2</sup>C bus device can be used in a Standard mode I<sup>2</sup>C bus system, but the requirement  $t_{SU; DAT} \geq 250\text{ ns}$  must then be met. This is automatically the case if the device does not stretch the LOW period of the SCL signal. If such a device does stretch the LOW period of the SCL signal, then it must output the next data bit to the SDA line  $t_{rmax} + t_{SU; DAT} = 1000 + 250 = 1250\text{ ns}$  (according to the Standard mode I<sup>2</sup>C bus specification) before the SCL line is released.
8.  $C_b$  = total capacitance of the one bus line in pF.



**Figure 16. Timing definition for fast and standard mode devices on the I<sup>2</sup>C bus**

### 3.8.3 UART

See [General switching specifications](#).

## 4 Dimensions

### 4.1 Obtaining package dimensions

Package dimensions are provided in package drawings.

To find a package drawing, go to [freescale.com](http://freescale.com) and perform a keyword search for the drawing's document number:

If you want the drawing for this package	Then use this document number
16-pin QFN	98ASA00525D
24-pin QFN	98ASA00602D
20-pin WLCSP	98ASA00676D

## 5 Pinout

### 5.1 KL03 signal multiplexing and pin assignments

The following table shows the signals available on each pin and the locations of these pins on the devices supported by this document. The Port Control Module is responsible for selecting which ALT functionality is available on each pin.

#### NOTE

PTB3 and PTB4 are true open drain pins. The external pullup resistor must be added to make them output correct values in using I2C, GPIO, and LPUART0.

24 QFN	20 WLC SP	16 QFN	Pin Name	Default	ALT0	ALT1	ALT2	ALT3	ALT4	ALT5
1	—	—	PTB6/ IRQ_2/ LPTMR0_ALT3	DISABLED		PTB6/ IRQ_2/ LPTMR0_ALT3	TPM1_CH1	TPM_CLKIN1		
2	—	—	PTB7/ IRQ_3	DISABLED		PTB7/ IRQ_3	TPM1_CH0			
3	B5	1	VDD	VDD	VDD					
4	C5	2	VSS	VSS	VSS					
5	C4	3	PTA3	EXTAL0	EXTAL0	PTA3	I2C0_SCL	I2C0_SDA	LPUART0_TX	
6	C3	4	PTA4	XTAL0	XTAL0	PTA4	I2C0_SDA	I2C0_SCL	LPUART0_RX	CLKOUT
7	D3	5	PTA5/ RTC_CLK_IN	DISABLED		PTA5/ RTC_CLK_IN	TPM0_CH1	SPI0_SS_b		
8	D5	6	PTA6	DISABLED		PTA6	TPM0_CH0	SPI0_MISO		
9	—	—	PTB10	DISABLED		PTB10	TPM0_CH1	SPI0_SS_b		
10	—	—	PTB11	DISABLED		PTB11	TPM0_CH0	SPI0_MISO		
11	D4	7	PTA7/ IRQ_4	DISABLED		PTA7/ IRQ_4	SPI0_MISO	SPI0_MOSI		
12	C1	8	PTB0/ IRQ_5/ LLWU_P4	ADC0_SE9	ADC0_SE9	PTB0/ IRQ_5/ LLWU_P4	EXTRG_IN	SPI0_SCK	I2C0_SCL	
13	D1	9	PTB1/ IRQ_6	ADC0_SE8/ CMP0_IN3	ADC0_SE8/ CMP0_IN3	PTB1/ IRQ_6	LPUART0_TX	LPUART0_RX	I2C0_SDA	
14	B1	10	PTB2/ IRQ_7	VREF_OUT/ CMP0_IN5	VREF_OUT/ CMP0_IN5	PTB2/ IRQ_7	LPUART0_RX	LPUART0_TX		
15	D2	—	PTA8	ADC0_SE3	ADC0_SE3	PTA8	I2C0_SCL	SPI0_MOSI		
16	C2	—	PTA9	ADC0_SE2	ADC0_SE2	PTA9	I2C0_SDA	SPI0_SCK		

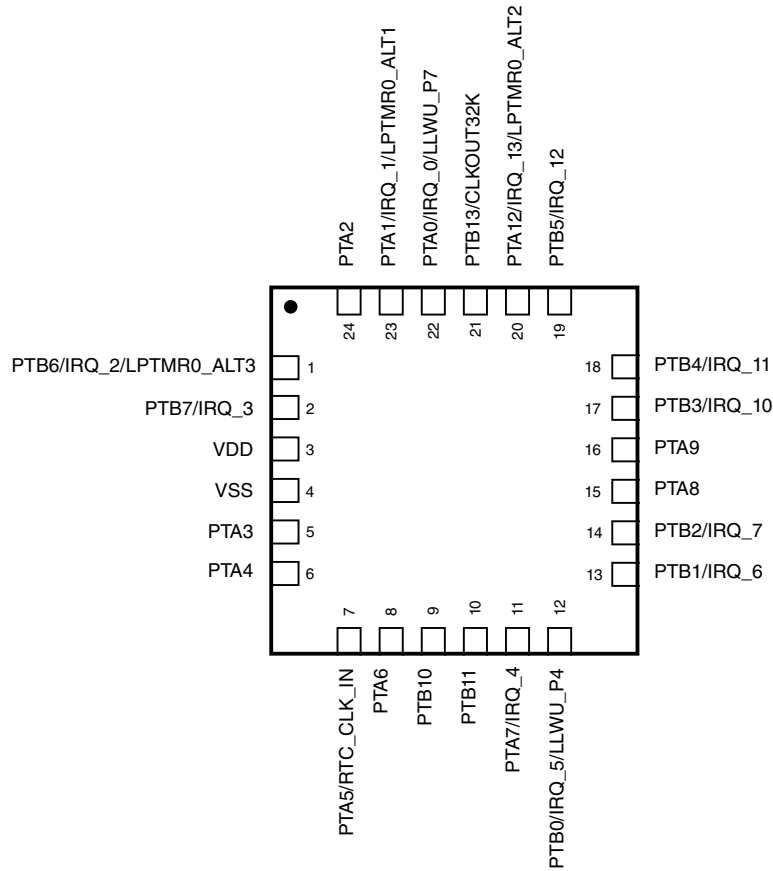
## Pinout

24 QFN	20 WLC SP	16 QFN	Pin Name	Default	ALT0	ALT1	ALT2	ALT3	ALT4	ALT5
17	A1	11	PTB3/ IRQ_10	DISABLED		PTB3/ IRQ_10	I2C0_SCL	LPUART0_TX		
18	B2	12	PTB4/ IRQ_11	DISABLED		PTB4/ IRQ_11	I2C0_SDA	LPUART0_RX		
19	A2	13	PTB5/ IRQ_12	NMI_b	ADC0_SE1/ CMP0_IN1	PTB5/ IRQ_12	TPM1_CH1	NMI_b		
20	B3	—	PTA12/ IRQ_13/ LPTMR0_ALT2	ADC0_SE0/ CMP0_IN0	ADC0_SE0/ CMP0_IN0	PTA12/ IRQ_13/ LPTMR0_ALT2	TPM1_CH0	TPM_CLKIN0		CLKOUT
21	A3	—	PTB13/ CLKOUT32K	DISABLED		PTB13/ CLKOUT32K	TPM1_CH1	RTC_CLKOUT		
22	A4	14	PTA0/ IRQ_0/ LLWU_P7	SWD_CLK	ADC0_SE15/ CMP0_IN2	PTA0/ IRQ_0/ LLWU_P7	TPM1_CH0	SWD_CLK		
23	B4	15	PTA1/ IRQ_1/ LPTMR0_ALT1	RESET_b		PTA1/ IRQ_1/ LPTMR0_ALT1	TPM_CLKIN0	RESET_b		
24	A5	16	PTA2	SWD_DIO		PTA2	CMP0_OUT	SWD_DIO		

## 5.2 KL03 pinouts

The following figures show the pinout diagrams for the devices supported by this document. Many signals may be multiplexed onto a single pin. To determine what signals can be used on which pin, see [KL03 signal multiplexing and pin assignments](#).





**Figure 17. KL03 24-pin QFN pinout diagram**

	1	2	3	4	5
A	PTB3	PTB5	PTB13	PTA0	PTA2
B	PTB2	PTB4	PTA12	PTA1	VDD
C	PTB0	PTA9	PTA4	PTA3	VSS
D	PTB1	PTA8	PTA5	PTA7	PTA6

**Figure 18. KL03 20-pin WLCSP pinout diagram**

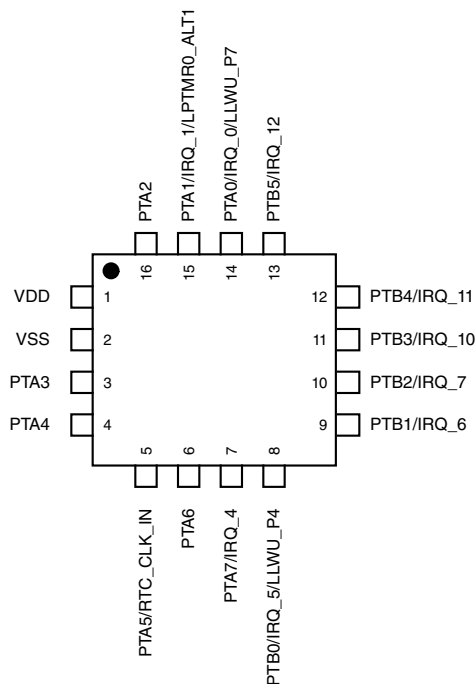


Figure 19. KL03 16-pin QFN pinout diagram

## 6 Ordering parts

### 6.1 Determining valid orderable parts

Valid orderable part numbers are provided on the web. To determine the orderable part numbers for this device, go to [freescale.com](http://freescale.com) and perform a part number search for the following device numbers:

## 7 Part identification

### 7.1 Description

Part numbers for the chip have fields that identify the specific part. You can use the values of these fields to determine the specific part you have received.

## 7.2 Format

Part numbers for this device have the following format:

Q KL## A FFF R T PP CC N

## 7.3 Fields

This table lists the possible values for each field in the part number (not all combinations are valid):

**Table 41. Part number fields descriptions**

Field	Description	Values
Q	Qualification status	<ul style="list-style-type: none"> <li>M = Fully qualified, general market flow(full reels for WLCSP)</li> <li>P = Prequalification</li> <li>K = Fully qualified, general market flow, 100 pieces reels (WLCSP only)</li> </ul>
KL##	Kinetis family	<ul style="list-style-type: none"> <li>KL03</li> </ul>
A	Key attribute	<ul style="list-style-type: none"> <li>Z = Cortex-M0+</li> </ul>
FFF	Program flash memory size	<ul style="list-style-type: none"> <li>8 = 8 KB</li> <li>16 = 16 KB</li> <li>32 = 32 KB</li> </ul>
R	Silicon revision	<ul style="list-style-type: none"> <li>(Blank) = Main</li> <li>A = Revision after main</li> </ul>
T	Temperature range (°C)	<ul style="list-style-type: none"> <li>V = -40 to 105</li> <li>C = -40 to 85</li> </ul>
PP	Package identifier	<ul style="list-style-type: none"> <li>FG = 16 QFN (3 mm x 3 mm)</li> <li>AF = 20 WLCSP (1.99 mm x 1.61 mm)</li> <li>FK = 24 QFN (4 mm x 4 mm)</li> </ul>
CC	Maximum CPU frequency (MHz)	<ul style="list-style-type: none"> <li>4 = 48 MHz</li> </ul>
N	Packaging type	<ul style="list-style-type: none"> <li>R = Tape and reel</li> <li>(Blank) = Trays</li> </ul>

## 7.4 Example

This is an example part number:

MKL03Z32VFK4

## 8 Terminology and guidelines

### 8.1 Definition: Operating requirement

An *operating requirement* is a specified value or range of values for a technical characteristic that you must guarantee during operation to avoid incorrect operation and possibly decreasing the useful life of the chip.

#### 8.1.1 Example

This is an example of an operating requirement:

Symbol	Description	Min.	Max.	Unit
V <sub>DD</sub>	1.0 V core supply voltage	0.9	1.1	V

### 8.2 Definition: Operating behavior

Unless otherwise specified, an *operating behavior* is a specified value or range of values for a technical characteristic that are guaranteed during operation if you meet the operating requirements and any other specified conditions.

#### 8.2.1 Example

This is an example of an operating behavior:

Symbol	Description	Min.	Max.	Unit
I <sub>WP</sub>	Digital I/O weak pullup/pulldown current	10	130	μA

### 8.3 Definition: Attribute

An *attribute* is a specified value or range of values for a technical characteristic that are guaranteed, regardless of whether you meet the operating requirements.

#### 8.3.1 Example

This is an example of an attribute:

Symbol	Description	Min.	Max.	Unit
CIN_D	Input capacitance: digital pins	—	7	pF

### 8.4 Definition: Rating

A *rating* is a minimum or maximum value of a technical characteristic that, if exceeded, may cause permanent chip failure:

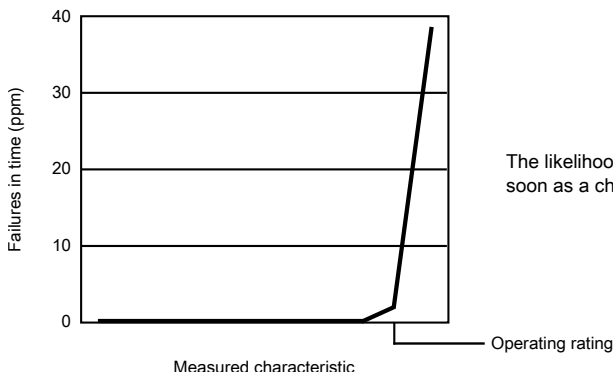
- *Operating ratings* apply during operation of the chip.
- *Handling ratings* apply when the chip is not powered.

#### 8.4.1 Example

This is an example of an operating rating:

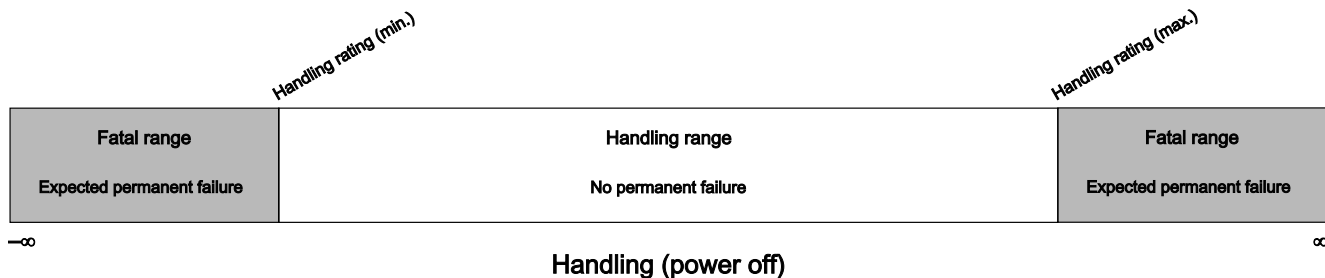
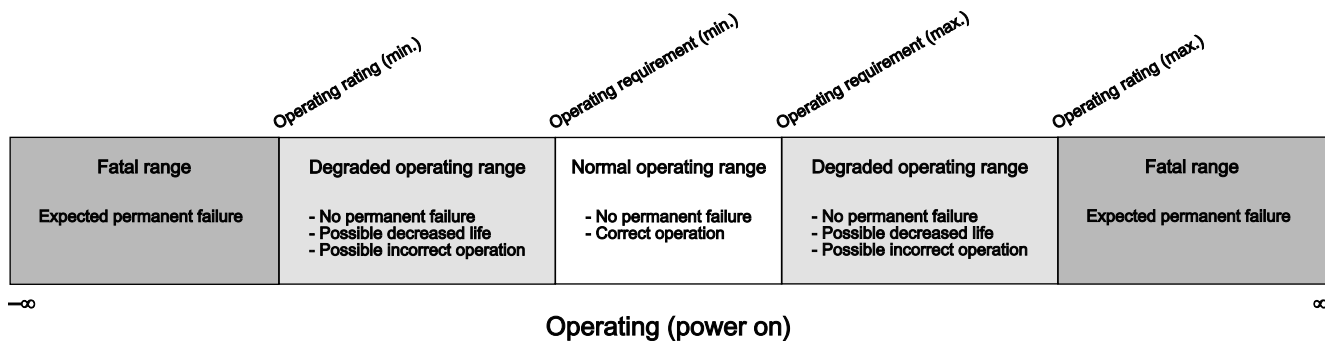
Symbol	Description	Min.	Max.	Unit
V <sub>DD</sub>	1.0 V core supply voltage	−0.3	1.2	V

## 8.5 Result of exceeding a rating



The likelihood of permanent chip failure increases rapidly as soon as a characteristic begins to exceed one of its operating ratings.

## 8.6 Relationship between ratings and operating requirements



## 8.7 Guidelines for ratings and operating requirements

Follow these guidelines for ratings and operating requirements:

- Never exceed any of the chip's ratings.

- During normal operation, don't exceed any of the chip's operating requirements.
- If you must exceed an operating requirement at times other than during normal operation (for example, during power sequencing), limit the duration as much as possible.

## 8.8 Definition: Typical value

A *typical value* is a specified value for a technical characteristic that:

- Lies within the range of values specified by the operating behavior
- Given the typical manufacturing process, is representative of that characteristic during operation when you meet the typical-value conditions or other specified conditions

Typical values are provided as design guidelines and are neither tested nor guaranteed.

### 8.8.1 Example 1

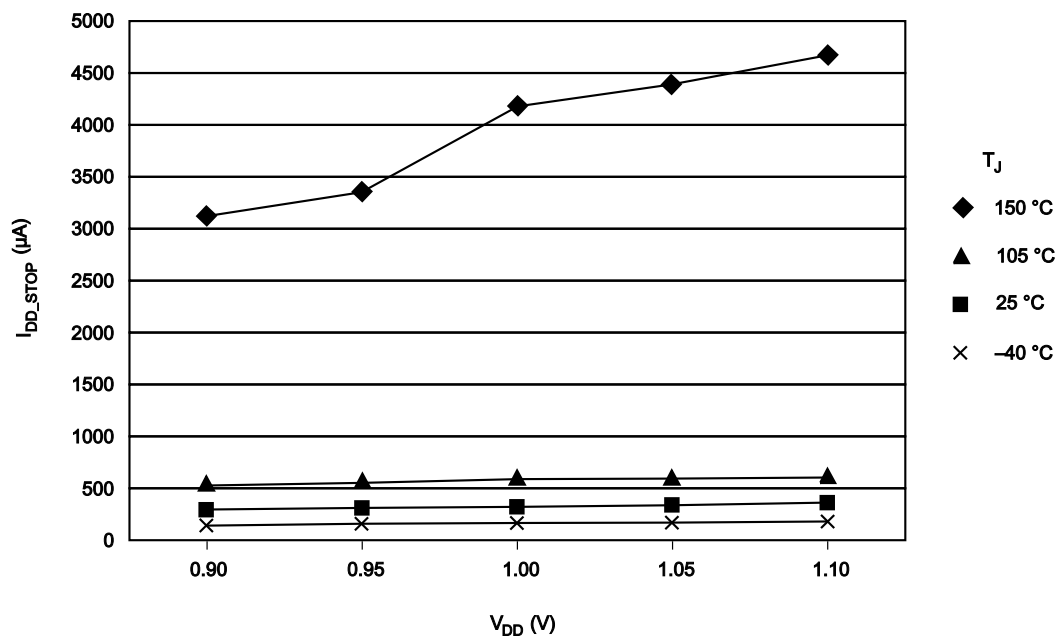
This is an example of an operating behavior that includes a typical value:

Symbol	Description	Min.	Typ.	Max.	Unit
$I_{WP}$	Digital I/O weak pullup/pulldown current	10	70	130	$\mu A$

### 8.8.2 Example 2

This is an example of a chart that shows typical values for various voltage and temperature conditions:

## Revision history



## 8.9 Typical value conditions

Typical values assume you meet the following conditions (or other conditions as specified):

**Table 42. Typical value conditions**

Symbol	Description	Value	Unit
T <sub>A</sub>	Ambient temperature	25	°C
V <sub>DD</sub>	3.3 V supply voltage	3.3	V

## 9 Revision history

The following table provides a revision history for this document.

**Table 43. Revision history**

Rev. No.	Date	Substantial Changes
3.1	07/2014	Initial public release.
4	08/2014	Changed pinout signal names ADC0_SE5, ADC0_SE6, and ADC0_SE12 to ADC0_SE8, ADC0_SE9 and ADC0_SE15 respectively.



**How to Reach Us:**

**Home Page:**

[freescale.com](http://freescale.com)

**Web Support:**

[freescale.com/support](http://freescale.com/support)

Information in this document is provided solely to enable system and software implementers to use Freescale products. There are no express or implied copyright licenses granted hereunder to design or fabricate any integrated circuits based on the information in this document. Freescale reserves the right to make changes without further notice to any products herein.

Freescale makes no warranty, representation, or guarantee regarding the suitability of its products for any particular purpose, nor does Freescale assume any liability arising out of the application or use of any product or circuit, and specifically disclaims any and all liability, including without limitation consequential or incidental damages. "Typical" parameters that may be provided in Freescale data sheets and/or specifications can and do vary in different applications, and actual performance may vary over time. All operating parameters, including "typicals," must be validated for each customer application by customer's technical experts. Freescale does not convey any license under its patent rights nor the rights of others. Freescale sells products pursuant to standard terms and conditions of sale, which can be found at the following address: [freescale.com/SalesTermsandConditions](http://freescale.com/SalesTermsandConditions).

Freescale, Freescale logo, Energy Efficient Solutions logo, and Kinetis are trademarks of Freescale Semiconductor, Inc., Reg. U.S. Pat. & Tm. Off. All other product or service names are the property of their respective owners. ARM and Cortex are registered trademarks of ARM Limited (or its subsidiaries) in the EU and/or elsewhere. All rights reserved.

©2014 Freescale Semiconductor, Inc.